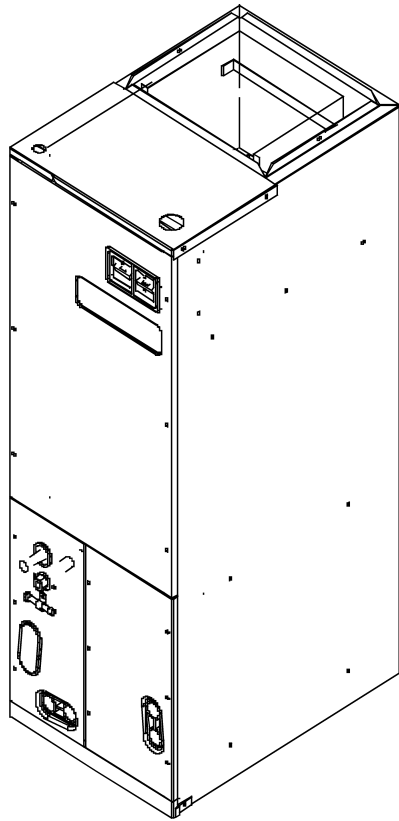


REPAIR PARTS

AEPF 13 SEER Air Handlers For R22 Units Only

AEPF18301BA
AEPF30361BA
AEPF42601BA



Made in the USA by:
Goodman Manufacturing Company, L.P.
2550 North Loop West, Suite 400
Houston Texas 77092

www.goodmanmfg.com www.amana-hac.com

RP-388A
Revision 0
July 2006

Important Information

Index

| | |
|------------------------------|-------|
| Functional Parts List | 3 |
| Illustration and Parts | 4 - 7 |

Views shown are for parts illustrations only, not servicing procedures

Rev. A: Corrected M3 model number.

Text Codes:

AR - As Required

NA - Not Available

NS - Not Shown

00000000 - See Note

QTY - Quantity Example (QTY 3) (If Quantity not shown, Quantity = 1)

M - Model Example (M1) (If M Code not shown, then part is used on all Models)

Expanded Model Nomenclature:

| |
|--------------|
| Example |
| M1 - Model#1 |
| M2 - Model#2 |
| M3 - Model#3 |

Goodman Manufacturing Company, L.P. is not responsible for personal injury or property damage resulting from improper service. Review all service information before beginning repairs.

Warranty service must be performed by an authorized technician, using authorized factory parts. If service is required after the warranty expires, Goodman Manufacturing Company, L.P. also recommends contacting an authorized technician and using authorized factory parts.

Goodman Manufacturing Company, L.P. reserves the right to discontinue, or change at any time, specifications or designs without notice or without incurring obligations. Goodman® brand products are proudly made in the USA.

For assistance within the U.S.A. contact:
Consumer Affairs Department
Goodman Manufacturing Company, L.P.
7401 Security Way
Houston, Texas 77040
877-254-4729-Telephone
713-863-2382-Facsimile

For assistance outside the U.S.A. contact:
International Division
Goodman Manufacturing Company, L.P.
7401 Security Way
Houston, Texas 77040
713-861-2500-Telephone
713-863-2382-Facsimile

Functional Parts

Part

No: **Description:**

| | |
|-------------|--|
| 1262405 | ASSY, EVAP COIL (M3) |
| 1262404 | ASSY, EVAP COIL (M2) |
| 1262403 | ASSY, EVAP COIL (M1) |
| B1368274 | ECM BOARD, PRIMARY |
| B2413674B | FLOWRATOR (M2) |
| 0162D00005P | FLOWRATOR W/ BRKT. (M1) |
| 0162D00007P | FLOWRATOR W/BRKT. (M3) |
| B13400702AB | MOTOR, BLOWER VAR SPD 1/2 HP (M1) |
| B13400704AB | MOTOR, BLOWER VAR SPD, 3/4 HP (M2, M3) |
| B1141643 | TRANSFORMER, 208/230, 24V |
| 0259A00004P | WIRE ASSY, 9 PIN FEMALE CONN |
| 0259A00002P | WIRE ASSY, 9 PIN MALE CONN |
| B1378701 | WIRE HARNESS, HIGH VOLTAGE |
| B1378700 | WIRE HARNESS, LOW VOLTAGE |

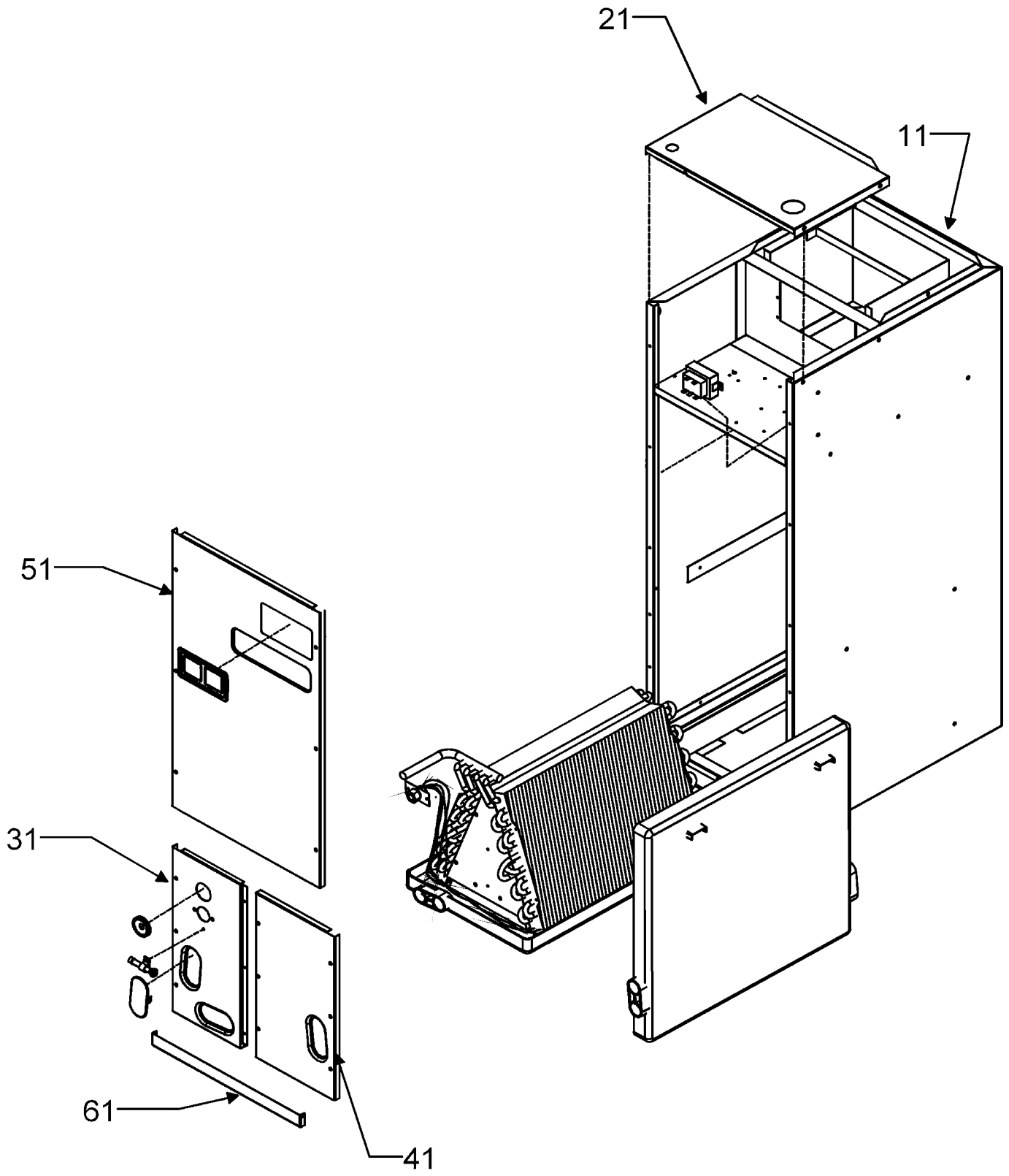
SPECIAL PARTS

| | |
|---------|---------------------------|
| IO-286 | INSTALLATION INSTRUCTIONS |
| IO-287 | INSTALLATION INSTRUCTIONS |
| PKC-00W | PISTON KIT CHART |
| RP-388 | REPAIR PARTS MANUAL |

Expanded Model Nomenclature

| |
|------------------|
| M1 - AEPF18301BA |
| M2 - AEPF30361BA |
| M3 - AEPF42601BA |

Cabinet



Cabinet

| Ref. Part No: | No: | Description: | Ref. Part No: | No: | Description: |
|---------------|-----|--------------|---------------|-----|--------------|
|---------------|-----|--------------|---------------|-----|--------------|

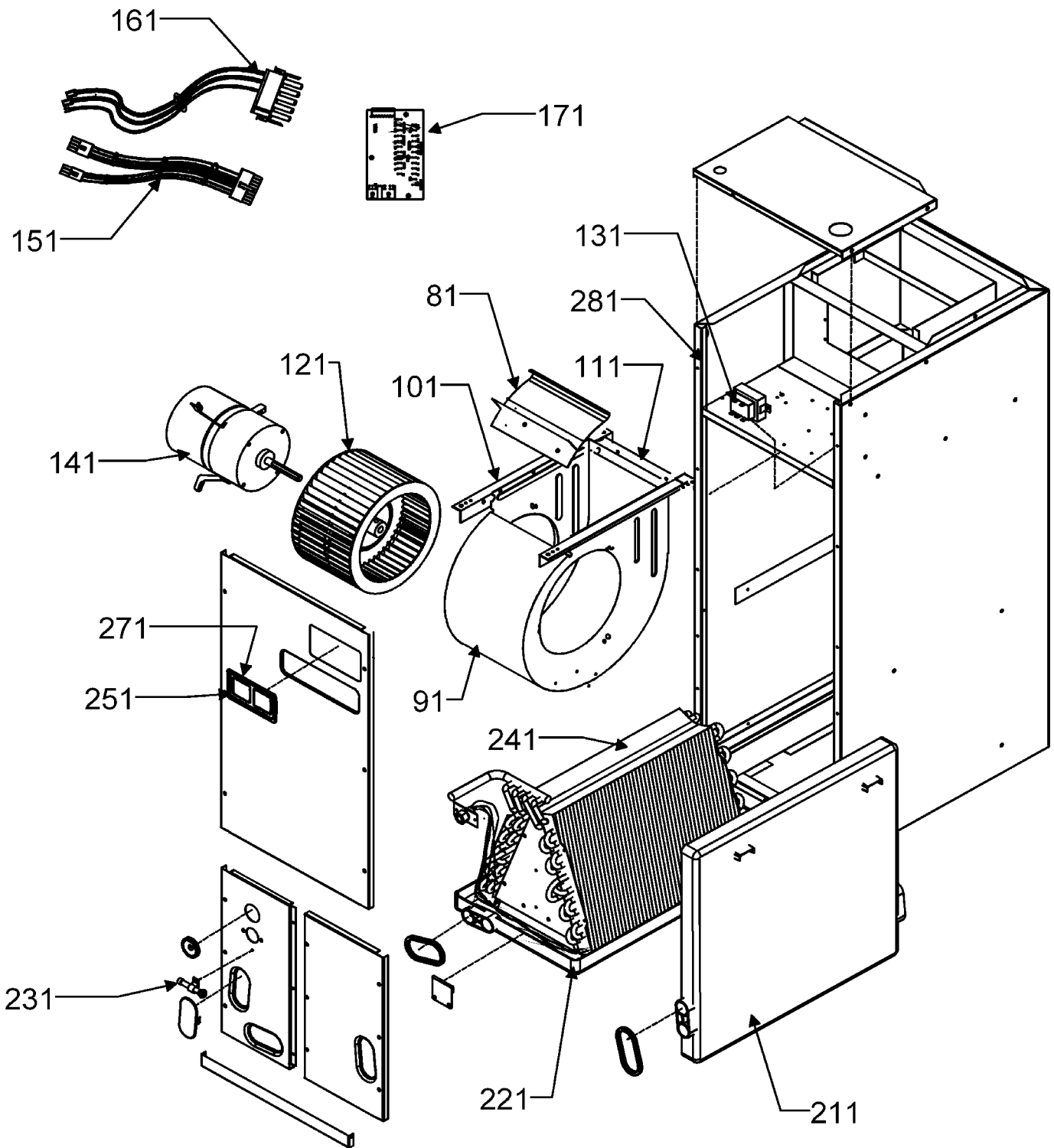
Image 1:

| | | |
|----|------------|-----------------------------------|
| 11 | 1721122PDG | WRAPPER, CABINET (M1) |
| 11 | 1721123PDG | WRAPPER, CABINET (M2, M3) |
| 21 | 1721930PDG | PLATE, UPPER TIE LRG (M2, M3) |
| 21 | 1721929PDG | PLATE, UPPER TIE MED (M1) |
| 31 | 1722078PDG | PANEL, LOWER ACCESS LRG (M2, M3) |
| 31 | 1722077PDG | PANEL, LOWER ACCESS SML/MED (M1) |
| 41 | 1722081PDG | PANEL, LOWER SERVICE LRG (M2, M3) |
| 41 | 1722080PDG | PANEL, LOWER SERVICE MED (M1) |
| 51 | 1722084PDG | PANEL, UPPER ACCESS LRG (M2, M3) |
| 51 | 1722083PDG | PANEL, UPPER ACCESS MED (M1) |
| 61 | 1722087PDG | COVER, FILTER LRG (M2, M3) |
| 61 | 1722086PDG | COVER, FILTER MED (M1) |
| NS | 1721918 | BOTTOM TIE, LRG (M2, M3) |
| NS | 1721917 | BOTTOM TIE, MED (M1) |

Expanded Model Nomenclature

| |
|------------------|
| M1 - AEPF18301BA |
| M2 - AEPF30361BA |
| M3 - AEPF42601BA |

Internal Components



Internal Components

| Ref. Part No: | No: | Description: | Ref. Part No: | No: | Description: |
|-----------------|-------------|--|---------------|-----|--------------|
| <i>Image 1:</i> | | | | | |
| 81 | 764734 | CUT-OFF, BLOWER (M1) | | | |
| 81 | 1824004 | CUT-OFF, BLOWER 11 X 10 (M2, M3) | | | |
| 91 | 1439397 | ASSY, BLOWER SHELL 10 X 10 (M2, M3) | | | |
| 91 | 1439392 | ASSY, BLOWER SHELL 9 X 8 (M1) | | | |
| 101 | 1717107 | MOUNTING ANGLE, BLOWER (QTY 2) | | | |
| 111 | 1717109 | MOUNTING ANGLE, BLOWER | | | |
| 121 | B1368048S | WHEEL, BLOWER 10 X 10 (M2, M3) | | | |
| 121 | B1368037 | WHEEL, BLOWER 9 X 8 (M1) | | | |
| 131 | B1141643 | TRANSFORMER, 208/230, 24V | | | |
| 141 | B13400702AB | MOTOR, BLOWER VAR SPD 1/2 HP (M1) | | | |
| 141 | B13400704AB | MOTOR, BLOWER VAR SPD, 3/4 HP (M2, M3) | | | |
| 151 | 0259A00002P | WIRE ASSY, 9 PIN MALE CONN | | | |
| 161 | 0259A00004P | WIRE ASSY, 9 PIN FEMALE CONN | | | |
| 171 | B1368274 | ECM BOARD, PRIMARY | | | |
| 211 | B1756022L | DRAIN PAN, PLASTIC (HORIZONTAL) (M1) | | | |
| 211 | B1756028L | DRAIN PAN, PLASTIC (HORIZONTAL) (M2, M3) | | | |
| 221 | B1756017L | DRAIN PAN, PLASTIC (VERTICAL) (M1) | | | |
| 221 | B1756020L | DRAIN PAN, PLASTIC (VERTICAL) (M2, M3) | | | |
| 231 | B1796630 | FLOWRATOR, INLET TUBE | | | |
| 241 | 1262403 | ASSY, EVAP COIL (M1) | | | |
| 241 | 1262404 | ASSY, EVAP COIL (M2) | | | |
| 241 | 1262405 | ASSY, EVAP COIL (M3) | | | |
| 251 | B1392641 | INSERT, PLASTIC CIRCUIT BREAKER | | | |
| 271 | B13926122 | GASKET, CIRCUIT BREAKER INSERT | | | |
| NS | B1796632 | ASSY, TEFLON AND NUT | | | |
| NS | B2413674B | FLOWRATOR (M2) | | | |
| NS | 0162D00005P | FLOWRATOR W/ BRKT. (M1) | | | |
| NS | 0162D00007P | FLOWRATOR W/BRKT. (M3) | | | |
| NS | B1376853 | MOUNT ARM, MOTOR (M2, M3) | | | |
| NS | B1376861 | MOUNT ARM, MOTOR (M1) | | | |
| NS | B1376851 | MOUNT BAND, MOTOR | | | |
| NS | B1378701 | WIRE HARNESS, HIGH VOLTAGE | | | |
| NS | B1378700 | WIRE HARNESS, LOW VOLTAGE | | | |

Expanded Model Nomenclature

| |
|------------------|
| M1 - AEPF18301BA |
| M2 - AEPF30361BA |
| M3 - AEPF42601BA |