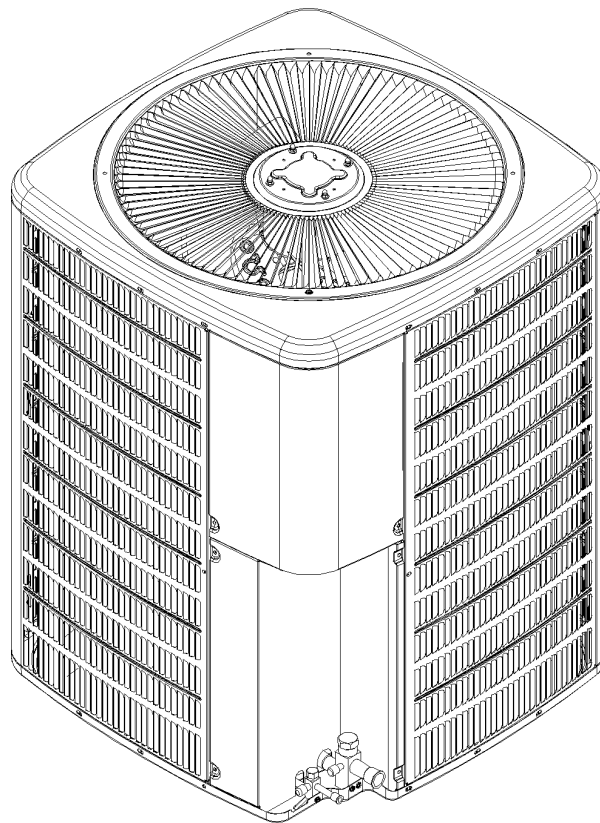


REPAIR PARTS

GSH 13 SEER Remote Heat Pumps

GSH130181AB
GSH130191AB
GSH130241AB
GSH130251AB
GSH130251AD
GSH130301AB
GSH130311AB
GSH130311AD
GSH130361AB
GSH130363AB
GSH130421AB
GSH130481AB
GSH130483AB
GSH130484AB
GSH130601AB
GSH130603AB
GSH130604AB



Goodman Manufacturing Company, L.P.
2550 North Loop West, Suite 400
Houston Texas 77092

www.goodmanmfg.com www.amana-hac.com

RP-430A
June 2007

Important Information

Index

Functional Parts List	3 - 4
Illustration and Parts	6 - 13

Views shown are for parts illustrations only, not servicing procedures

Rev. A: Added models GSH130251AD and GSH130311AD. Replaced fan blade B1086775 with 0150M00006 on model GSH1319*AB.

Text Codes:

AR - As Required

NA - Not Available

NS - Not Shown

00000000 - See Note

QTY - Quantity Example (QTY 3) (If Quantity not shown, Quantity = 1)

M - Model Example (M1) (If M Code not shown, then part is used on all Models)

Expanded Model Nomenclature:

Example M1 - Model#1 M2 - Model#2 M3 - Model#3

Goodman Manufacturing Company, L.P. is not responsible for personal injury or property damage resulting from improper service. Review all service information before beginning repairs.

Warranty service must be performed by an authorized technician, using authorized factory parts. If service is required after the warranty expires, Goodman Manufacturing Company, L.P. also recommends contacting an authorized technician and using authorized factory parts.

Goodman Manufacturing Company, L.P. reserves the right to discontinue, or change at any time, specifications or designs without notice or without incurring obligations.

For assistance within the U.S.A. contact:
Consumer Affairs Department
Goodman Manufacturing Company, L.P.
7401 Security Way
Houston, Texas 77040
877-254-4729-Telephone
713-863-2382-Facsimile

For assistance outside the U.S.A. contact:
International Division
Goodman Manufacturing Company, L.P.
7401 Security Way
Houston, Texas 77040
713-861-2500-Telephone
713-863-2382-Facsimile

Functional Parts

Part

No: Description:

Part No:	Description:	Part No:	Description:
B1226207	ACCUMULATOR (M9, M10, M11, M12, M13, M14, M15, M16, M17)	CONT1P030024VS	CONTACTOR 30 AMP, 150 LRA, 277V (M9, M11, M12)
B1226206	ACCUMULATOR (M1, M2, M3, M4, M5, M6, M7, M8)	B1360305	CONTACTOR 40 AMP, 240V (M15)
0201R00053S	ASSY, SERVICE COIL (M16, M17)	B1370803	DEFROST THERMOSTAT
0201R00070S	ASSY, SERVICE COIL (M11)	B1789873	FLOW CHECK PISTON KIT (M9, M10)
1362206	ASSY, SERVICE COIL (M15)	B1789852	FLOW CHECK PISTON KIT (M1, M2)
1362200	ASSY, SERVICE COIL (M1)	B1789884	FLOW CHECK PISTON KIT (M14)
1362207	ASSY, SERVICE COIL (M3)	B1789865	FLOW CHECK PISTON KIT (M7, M8)
1362202	ASSY, SERVICE COIL (M6)	B1789861	FLOW CHECK PISTON KIT (M3, M4, M5)
1362203	ASSY, SERVICE COIL (M9, M10)	B1789893	FLOW CHECK PISTON KIT (M15, M16, M17)
1362200	ASSY, SERVICE COIL (M2)	B1789868	FLOW CHECK PISTON KIT (M6)
0201R00066S	ASSY, SERVICE COIL (M7, M8)	B1789882	FLOW CHECK PISTON KIT (M11)
0201R00068S	ASSY, SERVICE COIL (M12, M13, M14)	B1789884	FLOW CHECK PISTON KIT (M12, M13)
0201R00058S	ASSY, SERVICE COIL (M4, M5)	0162M00032	FLOWRATOR-3 ST TUBE .046 (M4, M5)
B1219204	BI-FLOW FILTER DRIER	0162M00013P	FLOWRATOR-4 ST TUBE .039 (M1, M2)
B1226008S	BOARD, DEFROST CONTROL	0162M00015P	FLOWRATOR-4 ST TUBE .049 (M6, M7, M8)
CAP050300370RS	CAPACITOR 5/30/370V (M2, M3)	0162M00014P	FLOWRATOR-6 ST TUBE .043 (M3)
CAP050350370RS	CAPACITOR 5/35/370V (M1, M4, M5, M7, M8)	0162M00016P	FLOWRATOR-6 ST TUBE .055 (M9, M10)
B94575400	CAPACITOR 5/35/440V (M9)	0162M00017P	FLOWRATOR-6 ST TUBE .062 (M11)
CAP050000370VA	CAPACITOR 5/370V (M10, M13, M14, M16, M17)	0162M00037	FLOWRATOR-8 .188 ST TUBE .071 (M16, M17)
CAP050400370RS	CAPACITOR 5/40/370V (M6)	0162M00038	FLOWRATOR-8 .188 ST TUBE .076 (M15)
CAP050500370RT	CAPACITOR 5/50/370V (M11)	0162M00018P	FLOWRATOR-8 ST TUBE .065 (M12, M13, M14)
B94575900S	CAPACITOR 5/55/370V (M12)	B1360719	LOW PRESSURE SWITCH
CAP050800370RT	CAPACITOR 5/80/370V (M15)	B13400247S	MOTOR 1/4 HP, 230V, 1.8 FLA, 1 SP (M9, M10, M11, M12, M13)
CR14K7PFV970	COMPRESSOR 14100, 208/230/60/1 (M1)	0131M00022S	MOTOR 1/4 HP, 8 PL, 460V (M14)
ZR16K4PFV930	COMPRESSOR 16500, 208/230/60/1 (M2)	0131M00060S	MOTOR 1/6 HP, 1 SP 8 PL
CR19K7PFV970	COMPRESSOR 19300, 208/230/60/1 (M3)	0131M00012PS	MOTOR 1/6 HP, 1 SP, 8 PL (M15, M16)
ZR22K4PFV930	COMPRESSOR 22000, 208/230/60/1 (M4, M5)	0131M00016PS	MOTOR 1/6 HP, 1 SP, 8 PL (M1, M2, M3, M4, M5, M6, M7, M8)
ZR24K4PFV930	COMPRESSOR 24000, 208/230/60/1 (M7, M8)	0131M00023S	MOTOR 1/6 HP, 8 PL, 460V (M17)
CR24K7PFV970	COMPRESSOR 24300, 208/230/60/1 (M6)	B1219301	MUFFLER 1/2 X 1/2 (M1, M3, M5, M6, M8, M9, M10)
CR28K7TF5970	COMPRESSOR 28000, 200/230/60/3 (M10)	B1227315S	REVERSING VALVE (M1, M2, M3, M4, M5)
CR28K7PFV970	COMPRESSOR 28300, 208/230/60/1 (M9)	B1227316S	REVERSING VALVE (M6, M7, M8)
ZR36K3PFV930	COMPRESSOR 36900, 208/230/60/1 (M11)	B1227317S	REVERSING VALVE (M9, M10, M11, M12, M13, M14, M15, M16, M17)
ZR40K3PFV930	COMPRESSOR 40600, 208/230/60/1 (M12)	B1225022S	SOLENOID COIL
ZR40K3TF5930	COMPRESSOR 40600, 208/230/60/3 (M13)	B1787000	VALVE CORE
ZR40K3TFD930	COMPRESSOR 40600, 460/60/3 (M14)	0151R00002P	VALVE, SERVICE 3/4" OPEN LEFT (M1, M2, M3, M4, M5, M6, M7, M8)
ZR52K3PFV930	COMPRESSOR 52000, 208/230/60/1 (M15)	B12825171	VALVE, SERVICE 3/8" OPEN
ZR54K3TF5930	COMPRESSOR 54200, 200/230/60/3 (M16)	0151R00003P	VALVE, SERVICE 7/8" OPEN LEFT (M9, M10, M11, M12, M13, M14, M15, M16, M17)
ZR54K3TFD930	COMPRESSOR 54500, 460/60/3 (M17)		
B1360321	CONTACTOR 25 AMP, 125 LRA, 1P, 277V (M1, M2, M3, M4, M5, M6, M7, M8)		
B1360315	CONTACTOR 25 AMP, 3P, 24V (M10, M13, M14, M16, M17)		

Functional Parts

Part

No: Description:

SPECIAL PARTS

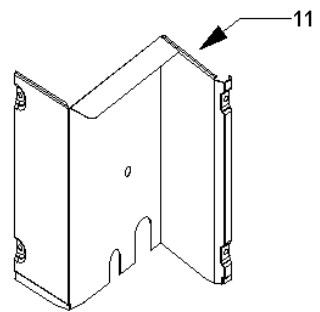
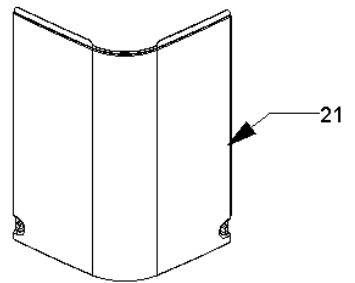
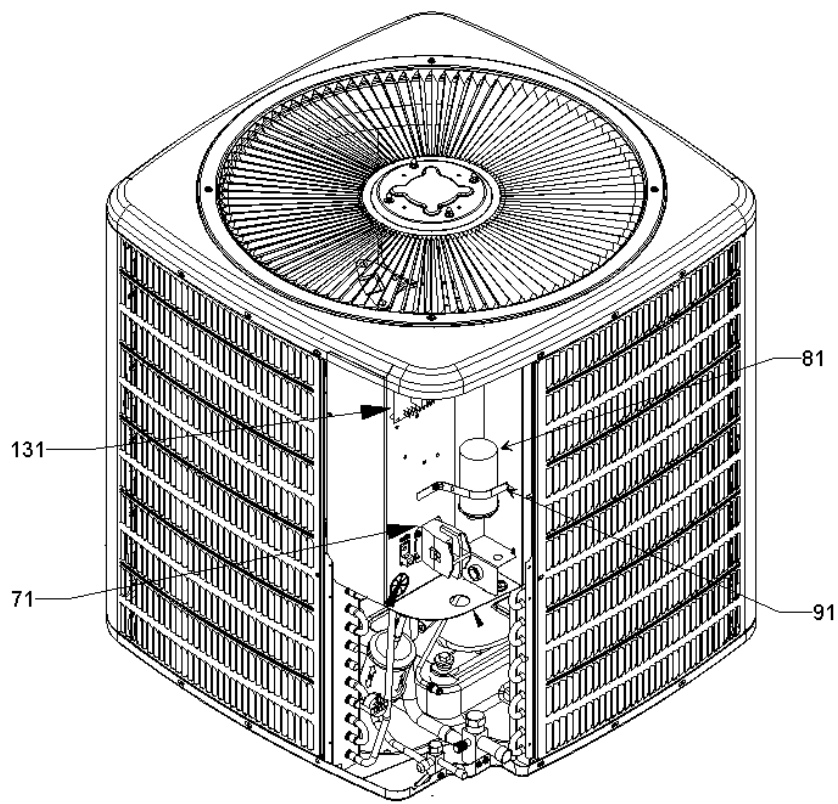
IO-259D INSTALLATION INSTRUCTIONS
0161R00009P NAMEPLATE
RP-430A REPAIR PARTS MANUAL

Expanded Model Nomenclature

M1 - GSH130181AB
M2 - GSH130191AB
M3 - GSH130241AB
M4 - GSH130251AB
M5 - GSH130251AD
M6 - GSH130301AB
M7 - GSH130311AB
M8 - GSH130311AD
M9 - GSH130361AB
M10 - GSH130363AB
M11 - GSH130421AB
M12 - GSH130481AB
M13 - GSH130483AB
M14 - GSH130484AB
M15 - GSH130601AB
M16 - GSH130603AB
M17 - GSH130604AB

THIS PAGE INTENTIONALLY LEFT BLANK

Control Cover/Control Box



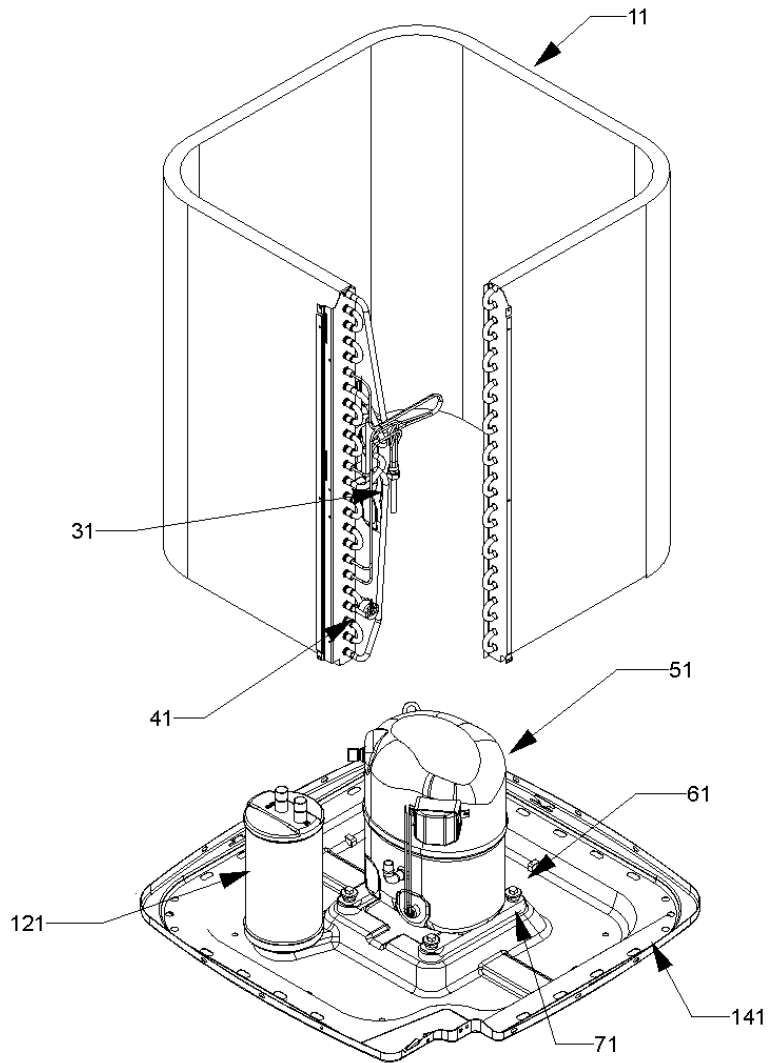
Control Cover/Control Box

Ref Part No:	Description:	Ref. Part No:	Description:
<i>Image 1:</i>			
11 4400201PDG	PANEL, LOWER ACCESS (M1, M2, M4, M5, M11)		
11 4400202PDG	PANEL, LOWER ACCESS (M6, M7, M8, M12, M13, M14, M15, M16, M17)		
11 4400203PDG	PANEL, LOWER ACCESS (M3)		
11 4400205PDG	PANEL, LOWER ACCESS (M9, M10)		
21 0121R00053PDG	CONTROL COVER, SML		
71 B1360321	CONTACTOR 25 AMP, 125 LRA, 1P, 277V (M1, M2, M3, M4, M5, M6, M7, M8)		
71 B1360315	CONTACTOR 25 AMP, 3P, 24V (M10, M13, M14, M16, M17)		
71 CONT1P030024VS	CONTACTOR 30 AMP, 150 LRA, 277V (M9, M11, M12)		
71 B1360305	CONTACTOR 40 AMP, 240V (M15)		
81 CAP050300370RS	CAPACITOR 5/30/370V (M2, M3)		
81 CAP050350370RS	CAPACITOR 5/35/370V (M1, M4, M5, M7, M8)		
81 B94575400	CAPACITOR 5/35/440V (M9)		
81 CAP050000370VA	CAPACITOR 5/370V (M10, M13, M14, M16, M17)		
81 CAP050400370RS	CAPACITOR 5/40/370V (M6)		
81 CAP050500370RT	CAPACITOR 5/50/370V (M11)		
81 B94575900S	CAPACITOR 5/55/370V (M12)		
81 CAP050800370RT	CAPACITOR 5/80/370V (M15)		
91 4400065	CAPACITOR STRAP (M1, M2, M3, M4, M5, M6, M7, M8, M9, M11, M12, M15)		
91 4400066	CAPACITOR STRAP (M10, M13, M14, M16, M17)		
131 B1226008S	BOARD, DEFROST CONTROL		
NS 0161R00009P	NAMEPLATE		

Expanded Model Nomenclature

- M1 - GSH130181AB
- M2 - GSH130191AB
- M3 - GSH130241AB
- M4 - GSH130251AB
- M5 - GSH130251AD
- M6 - GSH130301AB
- M7 - GSH130311AB
- M8 - GSH130311AD
- M9 - GSH130361AB
- M10 - GSH130363AB
- M11 - GSH130421AB
- M12 - GSH130481AB
- M13 - GSH130483AB
- M14 - GSH130484AB
- M15 - GSH130601AB
- M16 - GSH130603AB
- M17 - GSH130604AB

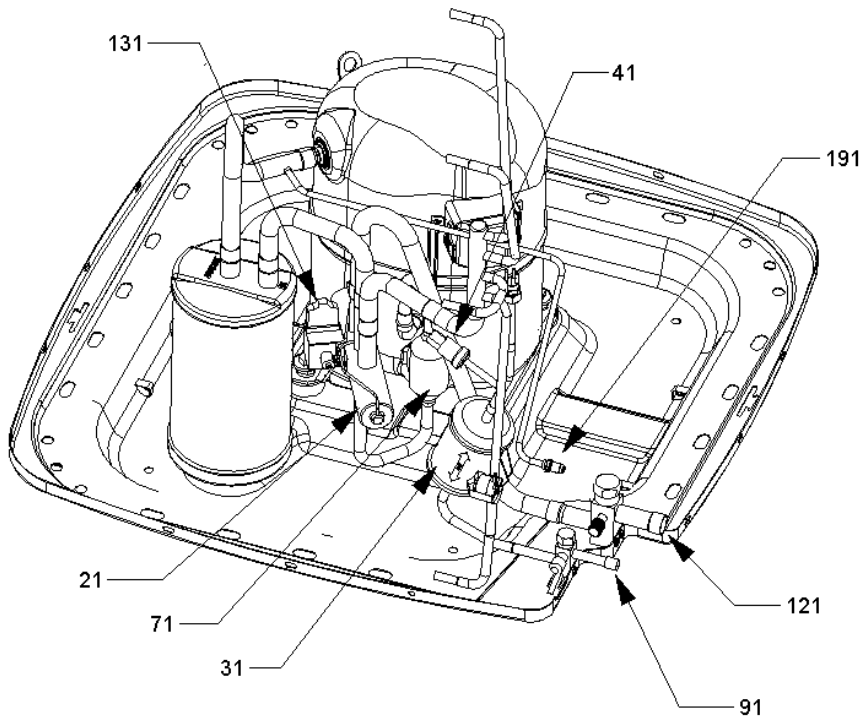
Basepan/Compressor/Coil Assembly



Basepan/Compressor/Coil Assembly

Ref Part No:	Description:	Ref. Part No:	Description:
<i>Image 1:</i>		Expanded Model Nomenclature	
11	0201R00053S ASSY, SERVICE COIL (M16, M17)	M1	GSH130181AB
11	0201R00058S ASSY, SERVICE COIL (M4, M5)	M2	GSH130191AB
11	0201R00066S ASSY, SERVICE COIL (M7, M8)	M3	GSH130241AB
11	0201R00068S ASSY, SERVICE COIL (M12, M13, M14)	M4	GSH130251AB
11	0201R00070S ASSY, SERVICE COIL (M11)	M5	GSH130251AD
11	1362200 ASSY, SERVICE COIL (M1)	M6	GSH130301AB
11	1362200 ASSY, SERVICE COIL (M2)	M7	GSH130311AB
11	1362202 ASSY, SERVICE COIL (M6)	M8	GSH130311AD
11	1362203 ASSY, SERVICE COIL (M9, M10)	M9	GSH130361AB
11	1362206 ASSY, SERVICE COIL (M15)	M10	GSH130363AB
11	1362207 ASSY, SERVICE COIL (M3)	M11	GSH130421AB
31	0162M00032 FLOWRATOR-3 ST TUBE .046 (M4, M5)	M12	GSH130481AB
31	0162M00013P FLOWRATOR-4 ST TUBE .039 (M1, M2)	M13	GSH130483AB
31	0162M00015P FLOWRATOR-4 ST TUBE .049 (M6, M7, M8)	M14	GSH130484AB
31	0162M00014P FLOWRATOR-6 ST TUBE .043 (M3)	M15	GSH130601AB
31	0162M00016P FLOWRATOR-6 ST TUBE .055 (M9, M10)	M16	GSH130603AB
31	0162M00017P FLOWRATOR-6 ST TUBE .062 (M11)	M17	GSH130604AB
31	0162M00037 FLOWRATOR-8 .188 ST TUBE .071 (M16, M17)		
31	0162M00038 FLOWRATOR-8 .188 ST TUBE .076 (M15)		
31	0162M00018P FLOWRATOR-8 ST TUBE .065 (M12, M13, M14)		
41	B1370803 DEFROST THERMOSTAT		
51	CR14K7PFV970 COMPRESSOR 14100, 208/230/60/1 (M1)		
51	ZR16K4PFV930 COMPRESSOR 16500, 208/230/60/1 (M2)		
51	CR19K7PFV970 COMPRESSOR 19300, 208/230/60/1 (M3)		
51	ZR22K4PFV930 COMPRESSOR 22000, 208/230/60/1 (M4, M5)		
51	ZR24K4PFV930 COMPRESSOR 24000, 208/230/60/1 (M7, M8)		
51	CR24K7PFV970 COMPRESSOR 24300, 208/230/60/1 (M6)		
51	CR28K7TF5970 COMPRESSOR 28000, 200/230/60/3 (M10)		
51	CR28K7PFV970 COMPRESSOR 28300, 208/230/60/1 (M9)		
51	ZR36K3PFV930 COMPRESSOR 36900, 208/230/60/1 (M11)		
51	ZR40K3PFV930 COMPRESSOR 40600, 208/230/60/1 (M12)		
51	ZR40K3TF5930 COMPRESSOR 40600, 208/230/60/3 (M13)		
51	ZR40K3TFD930 COMPRESSOR 40600, 460/60/3 (M14)		
51	ZR52K3PFV930 COMPRESSOR 52000, 208/230/60/1 (M15)		
51	ZR54K3TF5930 COMPRESSOR 54200, 200/230/60/3 (M16)		
51	ZR54K3TFD930 COMPRESSOR 54500, 460/60/3 (M17)		
61	B1339530 COMPRESSOR GROMMET (M1, M3, M6, M9, M10)		
61	B1339533 COMPRESSOR GROMMET (M2, M4, M5, M7, M8, M11, M12, M13, M14, M15, M16, M17)		
71	M0221641 SCREW-SHOULDER TF (QTY 4)		
121	B1226206 ACCUMULATOR (M1, M2, M3, M4, M5, M6, M7, M8)		
121	B1226207 ACCUMULATOR (M9, M10, M11, M12, M13, M14, M15, M16, M17)		
141	0121R00006PDG BASE PAN 29" (M1, M2, M3, M4, M5, M6, M7, M8, M9, M10, M11, M12, M13, M14)		
141	0121R00007PDG BASE PAN 35" (M15, M16, M17)		

Tubing Assembly



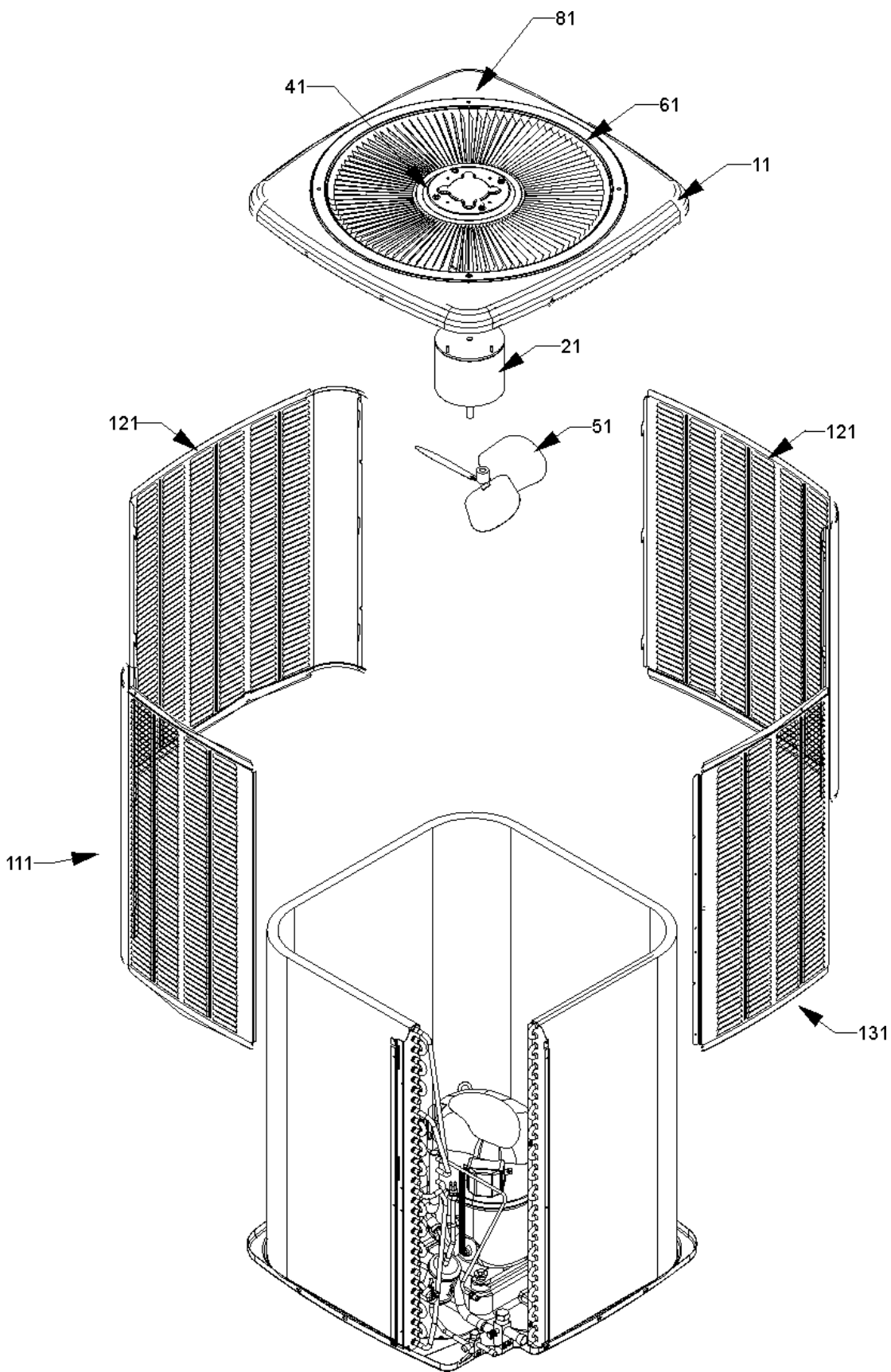
Tubing Assembly

Ref Part No:	Description:	Ref. Part No:	Description:
<i>Image 1:</i>			
21	B1227315S		REVERSING VALVE (M1, M2, M3, M4, M5)
21	B1227316S		REVERSING VALVE (M6, M7, M8)
21	B1227317S		REVERSING VALVE (M9, M10, M11, M12, M13, M14, M15, M16, M17)
31	B1219204		BI-FLOW FILTER DRIER
41	B1360719		LOW PRESSURE SWITCH
71	B1219301		MUFFLER 1/2 X 1/2 (M1, M3, M5, M6, M8, M9, M10)
91	B12825171		VALVE, SERVICE 3/8" OPEN
121	0151R00002P		VALVE, SERVICE 3/4" OPEN LEFT (M1, M2, M3, M4, M5, M6, M7, M8)
121	0151R00003P		VALVE, SERVICE 7/8" OPEN LEFT (M9, M10, M11, M12, M13, M14, M15, M16, M17)
131	B1225020		SOLENOID COIL CORD W/1/4" TERMINAL
191	B1787000		VALVE CORE
NS	B1789852		FLOW CHECK PISTON KIT (M1, M2)
NS	B1789861		FLOW CHECK PISTON KIT (M3, M4, M5)
NS	B1789865		FLOW CHECK PISTON KIT (M7, M8)
NS	B1789868		FLOW CHECK PISTON KIT (M6)
NS	B1789873		FLOW CHECK PISTON KIT (M9, M10)
NS	B1789882		FLOW CHECK PISTON KIT (M11)
NS	B1789884		FLOW CHECK PISTON KIT (M14)
NS	B1789884		FLOW CHECK PISTON KIT (M12, M13)
NS	B1789893		FLOW CHECK PISTON KIT (M15, M16, M17)
NS	B1225022S		SOLENOID COIL

Expanded Model Nomenclature

M1 - GSH130181AB
M2 - GSH130191AB
M3 - GSH130241AB
M4 - GSH130251AB
M5 - GSH130251AD
M6 - GSH130301AB
M7 - GSH130311AB
M8 - GSH130311AD
M9 - GSH130361AB
M10 - GSH130363AB
M11 - GSH130421AB
M12 - GSH130481AB
M13 - GSH130483AB
M14 - GSH130484AB
M15 - GSH130601AB
M16 - GSH130603AB
M17 - GSH130604AB

Cabinet Top/Side Panels



Cabinet Top/Side Panels

Ref Part No:	Description:	Ref. Part No:	Description:
<i>Image 1:</i>		Expanded Model Nomenclature	
11	0121R00010PDG TOP PANEL 29" (M1, M2, M3, M4, M5, M6, M7, M8, M9, M10, M11, M12, M13, M14)	M1 - GSH130181AB	
11	0121R00012PDG TOP PANEL 35" (M15, M16, M17)	M2 - GSH130191AB	
21	B13400247S MOTOR 1/4 HP, 230V, 1.8 FLA, 1 SP (M9, M10, M11, M12, M13)	M3 - GSH130241AB	
21	0131M00022S MOTOR 1/4 HP, 8 PL, 460V (M14)	M4 - GSH130251AB	
21	0131M00060S MOTOR 1/6 HP, 1 SP 8 PL	M5 - GSH130251AD	
21	0131M00012PS MOTOR 1/6 HP, 1 SP, 8 PL (M15, M16)	M6 - GSH130301AB	
21	0131M00016PS MOTOR 1/6 HP, 1 SP, 8 PL (M1, M2, M3, M4, M5, M6, M7, M8)	M7 - GSH130311AB	
21	0131M00023S MOTOR 1/6 HP, 8 PL, 460V (M17)	M8 - GSH130311AD	
41	B1783803 ACORN NUT (QTY 4)	M9 - GSH130361AB	
51	0150M00006 FAN BLADE (M2)	M10 - GSH130363AB	
51	B1086775S FAN BLADE (M3, M4, M5, M6, M7, M8)	M11 - GSH130421AB	
51	0150M00002PS FAN BLADE 22" (M1)	M12 - GSH130481AB	
51	0150M00006S FAN BLADE 22" (M12, M13)	M13 - GSH130483AB	
51	0150M00007S FAN BLADE 22" (M9, M10, M11)	M14 - GSH130484AB	
51	10625738S FAN BLADE 26" ALUM CCW (M15, M16, M17)	M15 - GSH130601AB	
51	B1086764S FAN BLADE, TYPE 2 (M14)	M16 - GSH130603AB	
61	0161R00006P VENTURI RING 29" (M1, M2, M3, M4, M5, M6, M7, M8, M9, M10, M11, M12, M13, M14)	M17 - GSH130604AB	
61	0161R00007P VENTURI RING 35" (M15, M16, M17)		
111	0121R00024PDG PANEL, LOUVER SIDE (M1, M2, M4, M5, M11)		
111	0121R00025PDG PANEL, LOUVER SIDE (M6, M7, M8, M12, M13, M14)		
111	0121R00026PDG PANEL, LOUVER SIDE (M3)		
111	0121R00027PDG PANEL, LOUVER SIDE (M9, M10)		
111	0121R00042PDG PANEL, LOUVER SIDE (M15, M16, M17)		
121	0121R00030PDG PANEL, LOUVER SIDE (M1, M2, M4, M5, M11)		
121	0121R00031PDG PANEL, LOUVER SIDE (M6, M7, M8, M12, M13, M14)		
121	0121R00032PDG PANEL, LOUVER SIDE (M3)		
121	0121R00033PDG PANEL, LOUVER SIDE (M9, M10)		
121	0121R00046PDG PANEL, LOUVER SIDE (M15, M16, M17)		
131	0121R00036PDG PANEL, LOUVER SIDE (M11)		
131	0121R00036PDG PANEL, LOUVER SIDE (M1, M2, M4, M5, M11)		
131	0121R00037PDG PANEL, LOUVER SIDE (M12, M13)		
131	0121R00037PDG PANEL, LOUVER SIDE (M6, M7, M8, M12, M13, M14)		
131	0121R00038PDG PANEL, LOUVER SIDE (M3)		
131	0121R00039PDG PANEL, LOUVER SIDE (M9, M10)		
131	0121R00050PDG PANEL, LOUVER SIDE (M15, M16, M17)		
NS	0161R00002P CONDUIT (M1, M2, M3, M4, M5, M6, M7, M8, M9, M10, M11, M12, M13, M14)		
NS	0161R00004P CONDUIT (M15, M16, M17)		