



# SUBMITTAL COVER SHEET

PROJECT NAME \_\_\_\_\_

LOCATION \_\_\_\_\_

ARCHITECT \_\_\_\_\_

ENGINEER \_\_\_\_\_

CONTRACTOR \_\_\_\_\_

SUBMITTED BY \_\_\_\_\_ DATE \_\_\_\_\_

## UNIT SUMMARY

Quantity						
Unit Designation						
Model No.						
Total Cooling						
Sensible Cooling						
Air Ent. Evaporator						
Air Lvg. Evaporator						
Heating Input						
Heating Output						
CFM/ESP						
EER/SEER						
Electrical						
Minimum Ampacity						
Min.-Max. Breaker						
Net Unit Weight						
Accessory						
Catalog Form Number						

### ACCESSORIES:

### NOTES:

# SUBMITTAL SHEET FOR RQPW PACKAGE DUAL FUEL UNITS FEATURING NEW INDUSTRY STANDARD R-410A REFRIGERANT

Nominal Sizes 2 Thru 4 Tons [7.0 thru 14.0 kW]



JOB NAME \_\_\_\_\_ DATE \_\_\_\_\_  
 CONTRACTOR \_\_\_\_\_ UNIT DESIGNATION \_\_\_\_\_  
 ENGINEER \_\_\_\_\_ MODEL NO. \_\_\_\_\_  
 SUBMITTED FOR  APPROVAL  RECORD LOCATION \_\_\_\_\_  
 SUBMITTED BY \_\_\_\_\_ ORDER NO. \_\_\_\_\_

## UNIT DATA

### COOLING PERFORMANCE

TOTAL CAPACITY\* \_\_\_\_\_ MBH  
 SENSIBLE CAPACITY\* \_\_\_\_\_ MBH  
 OUTDOOR DESIGN TEMP. \_\_\_\_\_ °F [°C] DB/WB  
 TOTAL SUPPLY AIR \_\_\_\_\_ CFM [L/s]  
 TEMP. OF AIR ENTERING  
 EVAPORATOR COIL \_\_\_\_\_ °F [°C] DB/WB  
 POWER INPUT REQUIREMENT ..... KW  
 SEER RATING..... \_\_\_\_\_  
 (\*uses blower motor heat)

### HEATING PERFORMANCE

GAS HEAT INPUT CAPACITY..... MBH  
 GAS HEAT OUTPUT CAPACITY..... MBH  
 STEADY STATE EFF ..... MBH  
 AFUE ..... C.O.P.  
 HEAT PUMP HEATING PERFORMANCE  
 CAPACITY @ 47°F ..... MBH  
 CAPACITY @ 17°F ..... MBH  
 COEFFICIENT OF PERFORMANCE  
 @ 47°F..... C.O.P.  
 @ 17°F..... C.O.P.  
 ELECTRIC HEAT CAPACITY ..... KW  
 H.S.P.F. ....

### SUPPLY AIR BLOWER PERFORMANCE

TOTAL SUPPLY AIR ..... CFM [L/s]  
 TOTAL RESISTANCE EXTERNAL  
 TO UNIT..... IWG  
 BLOWER SPEED ..... RPM  
 POWER OUTPUT REQUIREMENT .. BHP  
 MOTOR RATING ..... HP [W]  
 POWER INPUT REQUIREMENT ..... KW

### ELECTRICAL DATA

POWER SUPPLY..... Hz  
 TOTAL UNIT AMPACITY..... AMPS  
 MINIMUM WIRE SIZE ..... AWG  
 MAXIMUM OVERCURRENT DEVICE  
 FUSES HACR BREAKER ..... AMPS

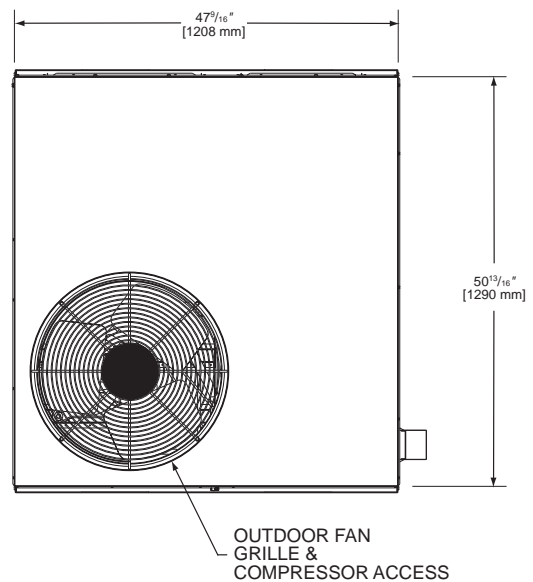
### TOTAL UNIT WEIGHT

TOTAL OPERATING WEIGHT .... LBS [kg]  
 (including field-installed accessories)

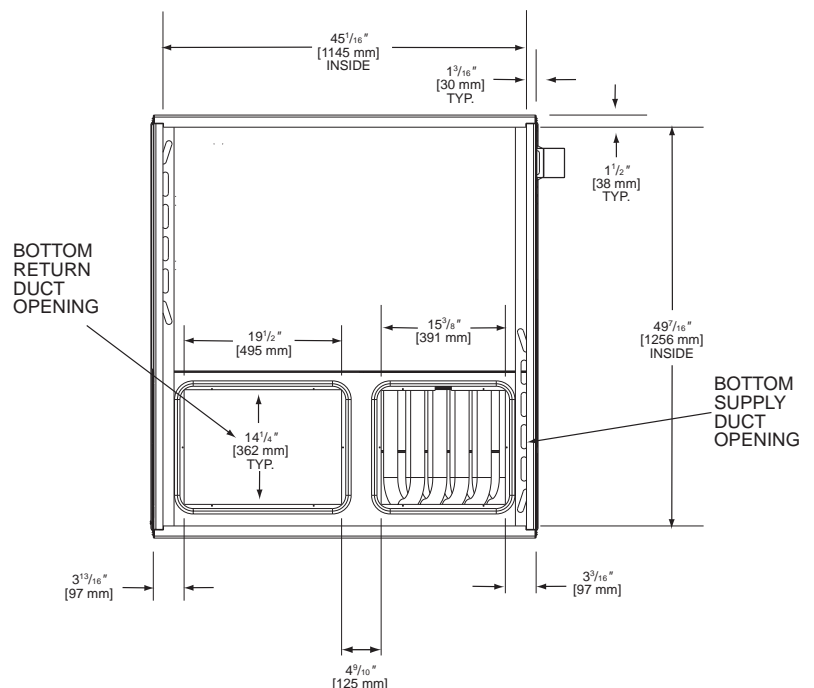
### CLEARANCES

SIDE "A" (WITHOUT ECONOMIZER) 2" [50.8 mm]  
 SIDE "B" (WITHOUT ECONOMIZER) 12" [304.8 mm]  
 SIDE "C" (WITHOUT ECONOMIZER) 48" [1,219.2 mm]  
 SIDE "D" (WITHOUT ECONOMIZER) 24" [610 mm]  
 ABOVE UNIT (WITHOUT ECONOMIZER) 60" [1,524 mm]

### TOP VIEW



### BOTTOM VIEW



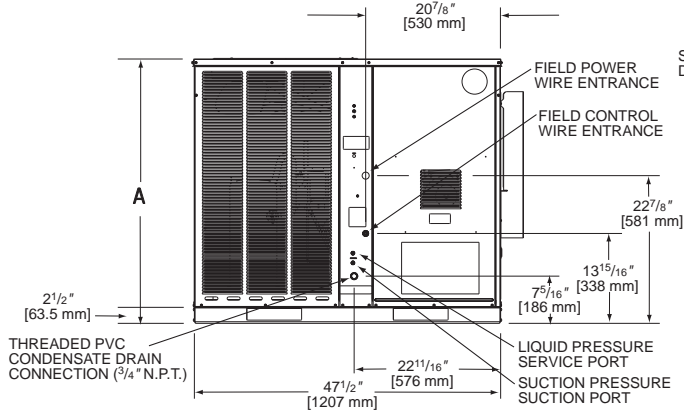
[ ] Designates Metric Conversions

# FIELD INSTALLED ACCESSORIES

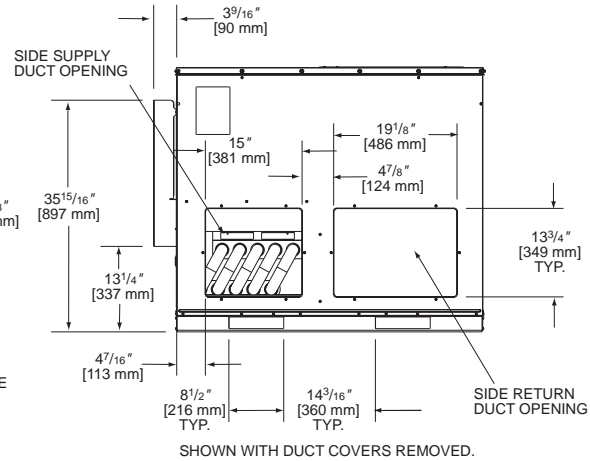
- Roof Curb (14" [356 mm] & 24" [610 mm] Sloped Platform)
- Filter Kit
- Lift Kit (For Rigging)
- Low Ambient Control
- Economizer (Downflow Only)
- Economizer (Sideflow Only)

- Fresh Air Damper
- L.P. (Conversion) Kit
- Transition Rectangular-Round (Downflow)
- Concentric Diffuser and Grille
- High Pressure Control
- Thermostat with Outdoor Sensor

## FRONT VIEW

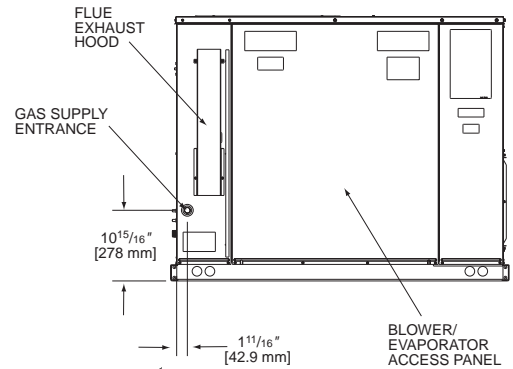


## BACK VIEW

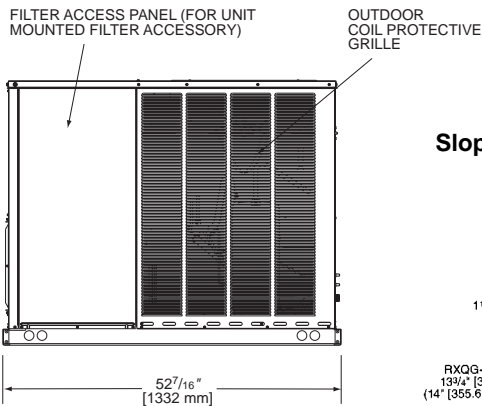


Model #	"A" Height
B024, B025	3515/16"
B030, B036 B042, B048	41"

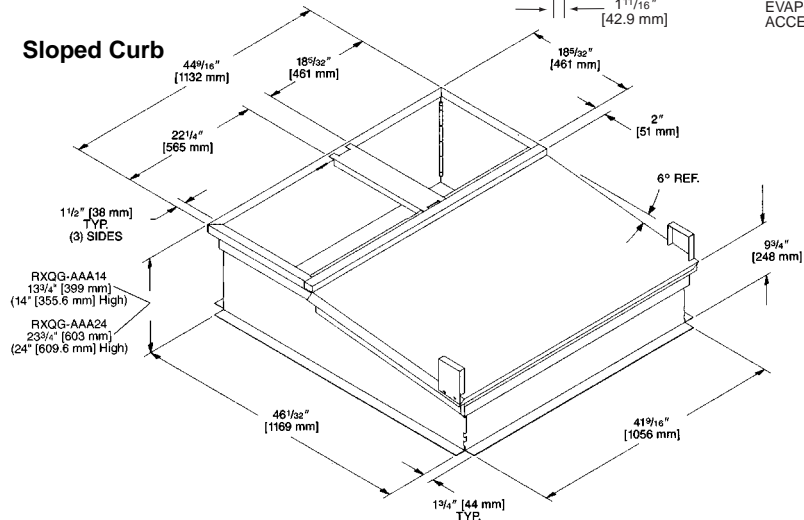
## SIDE VIEW



## SIDE VIEW



## Sloped Curb



[ ] Designates Metric Conversions

Before proceeding with installation, refer to installation instructions packaged with each model, as well as complying with all Federal, State, Provincial, and Local codes, regulations, and practices.

Rheem Sales Company, Inc.  
P.O. Box 17010, Fort Smith, AR 72917