



PACKAGE AIR CONDITIONERS

FORM NO. A11-186 REV. 4
Supersedes Form No. A11-186 Rev. 3

New Industry Standard R-410A Refrigerant

R-410A

RSNM- HIGH EFFICIENCY 13-SEER SERIES
NOMINAL SIZES 2-5 TONS [7-17.6 kW]

RSPM- SUPER HIGH EFFICIENCY 14-SEER SERIES
NOMINAL SIZES 2-5 TON [7-17.6 kW]



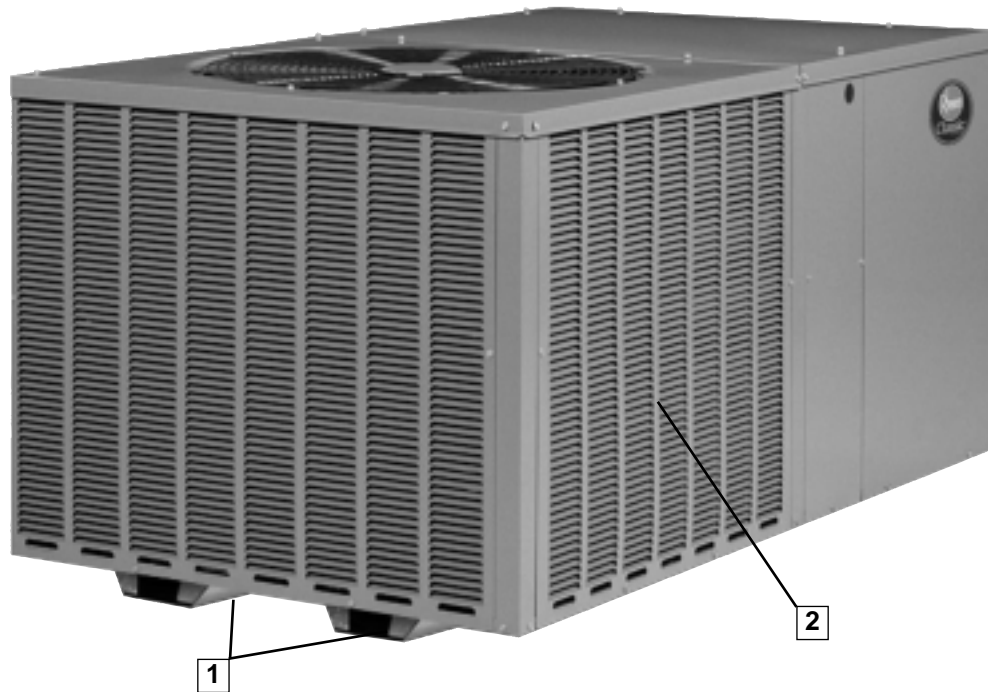
“Proper sizing and installation of equipment is critical to achieve optimal performance. Split system air conditioners and heat pumps must be matched with appropriate coil components to meet ENERGY STAR criteria. Ask your Contractor for details or visit www.energystar.gov.”



Unit Features & Benefits	3-6
Model Identification Options	7
General Data	
RSNM- Series	8-10
RSPM- Series	11-13
Performance Data	
RSNM- Cooling Series	14-16
RSPM- Cooling Series	17-20
Airflow Performance RSNM/RSPM- Series.....	21-24
Electrical Data	
RSNM- Series	25
RSPM- Series.....	26
Electric Heater Kits	27-30
Dimensional Data.....	31
Typical Installations	32
Accessories.....	33
Typical Wiring	34-39
Limited Warranty	40



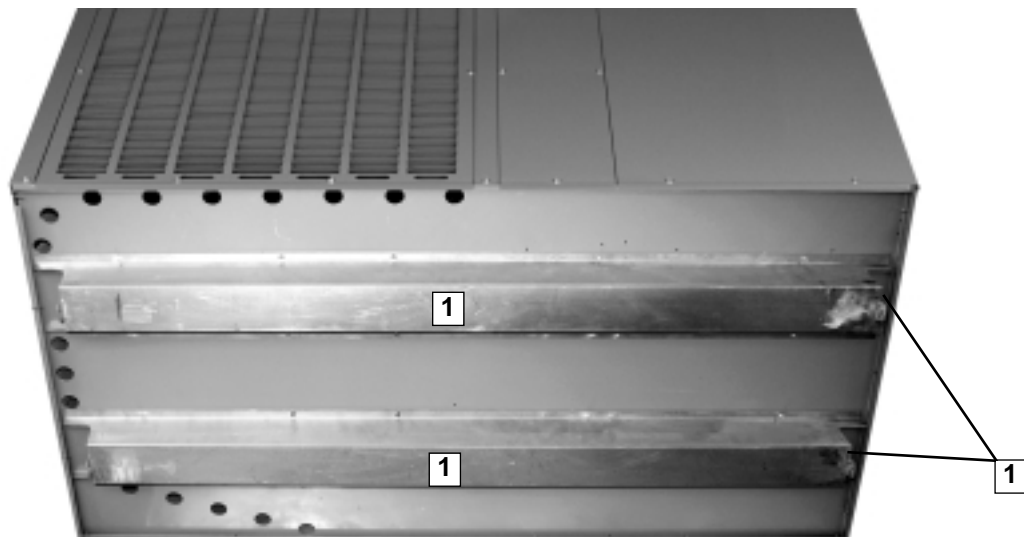
UNIT FEATURES & BENEFITS—RSNM/RSPM- SERIES

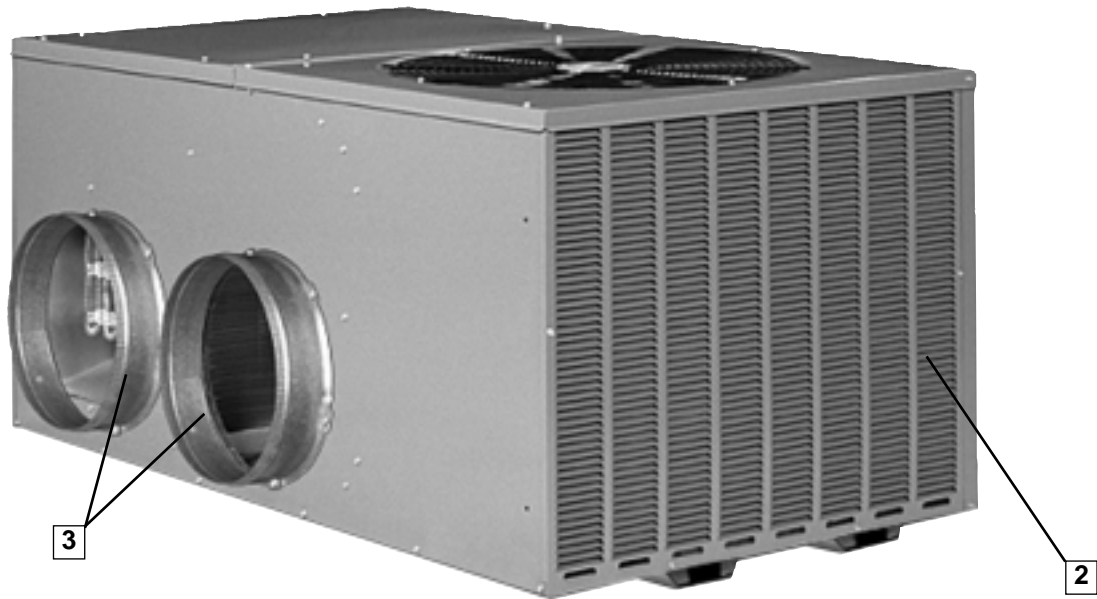


The RSNM/RSPM series of Package Air Conditioners are designed to be the most efficient, quickest to install, easiest to service, and most reliable units in the industry - while still maintaining an affordable price. This platform provides you with a full line of nominal capacities from 2 through 5 tons utilizing earth-friendly R-410A refrigerant. This unit is suitable for use in mobile homes, manufactured housing and conventionally constructed residential and commercial buildings where horizontally-ducted systems are preferred. RSNM models are 13 SEER, and RSPM Models are 14 SEER, each AHRI-certified.

As with all units offered by Rheem, we started our design process with input from the customer. From fan grille to the base rails, Rheem has combined 30 years worth of package unit design experience with input from Dealers to meet the latest application requirements.

Starting at the bottom, the base rails (1) allow for separation between the unit base and the ground level, protecting the base from ground moisture and providing air circulation around the unit. Constructed from sturdy 14-gauge G-90 sheet metal, the base rails also allow for easier maneuverability during installation.



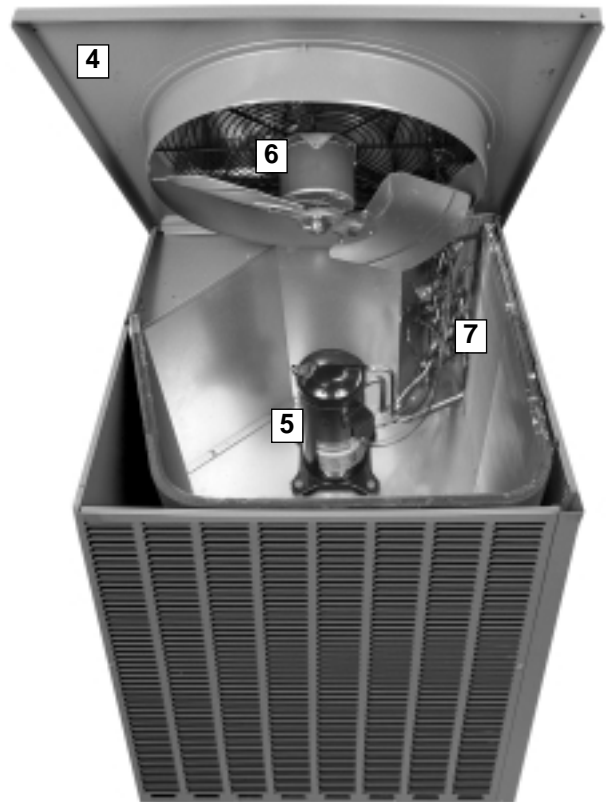


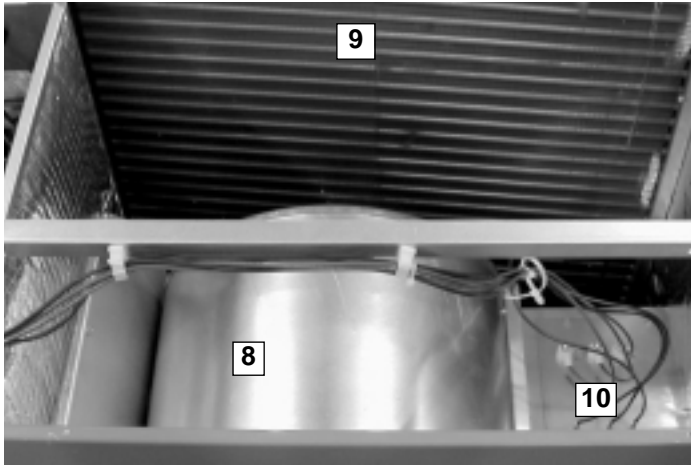
While other manufacturers have chosen to use pre-painted steel in their equipment, which exposes raw edges and invites rust and sharp edges, Rheem package equipment uses a powder-coat paint system, rated at 1000 hour salt spray per ASTM B117. The powder-coat process also greatly diminishes and dulls sharp edges, reducing the occurrence of cuts and torn clothes.

To provide flexibility in space-limited installations, the unit can be installed flush to the structure without blocking airflow over the outdoor coil or making any screws inaccessible for maintenance. Furthermore, the cabinet is a slim 33" wide. Full-louver coil protection (2) makes Rheem unique in the industry and also totally protects the outdoor coil from vandalism and weather extremes.

Two round 14" duct collar (3) are included with the unit, which makes attaching duct a snap. The collar is crimped around the leading edge, making it easier to install duct onto the collar. A metal bead around the circumference prevents the attached ducting from sliding off after installation.

Keeping service technicians in mind, Rheem takes pride providing easy access to internal components. The outdoor-section top cover (4) is easily removed to allow access to the the scroll compressor (5), outdoor fan motor (6), and refrigerant tubing (7).

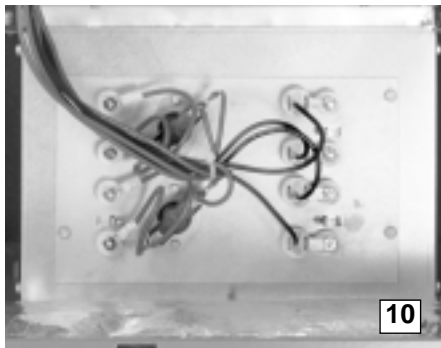




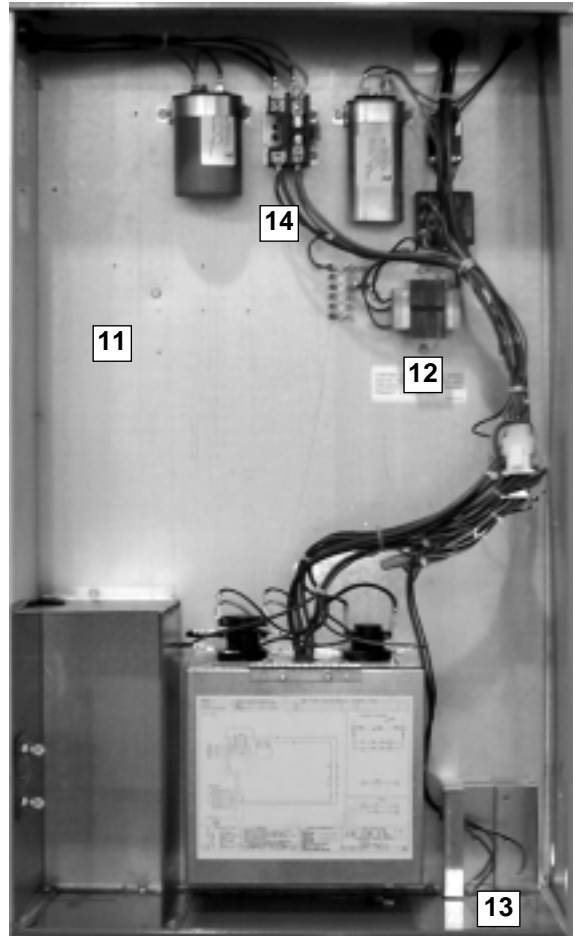
The indoor-section top cover also easily opens to access the removable blower housing and motor (8). This also gains total access to the indoor coil for cleaning and service (9).

The indoor motor and blower system will achieve nominal 400 CFM per ton up to a minimum of .8 inches of static pressure, which helps to eliminate customer dissatisfaction over poor airflow brought about by high-static duct designs.

Optional electric heat (10) can be specified as factory installed, or can be easily installed in the field, with either dual- or single-point power connections.

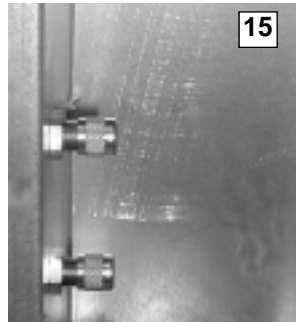


The controls are located in a large, easy-to-access control box (11), which provides plenty of space in which to troubleshoot. The transformer (12) is protected by an in-line fuse, which protects the transformer during a low-voltage electrical short. The low-voltage (13) and high-voltage (14) wiring connections are easily accessed and have ample room around which to maneuver. Troubleshooting is further aided with number- and color-coded wiring, which corresponds with the large, easy-to-read wiring diagram located on the inside of the control box access panel.





High and low refrigerant pressure can easily and accurately be measured using the two gauge ports (15) located inside the control box.



Foil-faced insulation is securely glued and captured to the cabinet. On the base of the unit, closed-cell insulation is used to prevent moisture from being absorbed and help reduce mold content to provide better indoor air quality.

For reliability and long-lasting operation, Rheem uses 100% scroll compressor technology (18) on all package platforms. With over 12 years of history, the scroll compressor has proven to be reliable, efficient, and quiet during operation.



A small side panel grants access to a removable, sloped drain pan (16), which helps to ensure indoor air quality (IAQ) throughout the life of the unit. A 3/4" drain trap (17) assembly is provided for convenience.





MODEL IDENTIFICATION—RSNM/RSPM- SERIES



R S N M — A 036 J K 010

- Heating Capacity (Factory Installed)
 - 000 = No Resistance Heat
 - 005 = 05 KW Resistance Heat
 - 007 = 07 KW Resistance Heat
 - 010 = 10 KW Resistance Heat
 - 015 = 15 KW Resistance Heat
 - 020 = 20 KW Resistance Heat *
- Drive Package
 - K = Direct Drive
- Electrical Designation
 - J = 208-230V—1PH—60 Hz
 - C = 208-230V—3PH—60 Hz
- Nominal Cooling Capacity (BTUH) [kW]
 - 024 = 24,000 [7.03]
 - 030 = 30,000 [8.79]
 - 036 = 36,000 [10.55]
 - 042 = 42,000 [12.31]
 - 043 = 42,000 [12.31]
 - 048 = 48,000 [14.07]
 - 060 = 60,000 [17.59]
- Future Technical Variations
- Design Series
 - M = R-410A
- Efficiency Designation
 - N = 13 SEER High Efficiency
 - P = 14 SEER Super High Efficiency
- Product Classification
 - S = Package Air Conditioner
- Tradebrand
 - R = Rheem

Not available in 3 phase models.
 *Available in 3¹/₂, 4 and 5 ton models.

[] Designates Metric Conversions



NOMINAL SIZES 2-5 TONS [7-17.6 kW]

Model RSNM- Series	A024JK	A030JK	A036CK	A036JK
Cooling Performance¹				CONTINUED →
Gross Cooling Capacity Btu [kW]	24,800 [7.27]	30,000 [8.79]	37,200 [10.9]	37,200 [10.9]
EER/SEER ²	11.3/13	11.5/13	11.3/13	11.3/13
Nominal CFM/ARI Rated CFM [L/s]	800/800 [378/378]	1000/1000 [472/472]	1200/1200 [566/566]	1200/1200 [566/566]
ARI Net Cooling Capacity Btu [kW]	23,800 [6.97]	28,800 [8.44]	35,800 [10.49]	35,800 [10.49]
Net Sensible Capacity Btu [kW]	18,400 [5.39]	22,200 [6.5]	27,300 [8]	27,300 [8]
Net Latent Capacity Btu [kW]	5,400 [1.58]	6,600 [1.93]	8,500 [2.49]	8,500 [2.49]
Net System Power kW	2.1	2.5	3.17	3.17
Compressor				
No./Type	1/Scroll	1/Scroll	1/Scroll	1/Scroll
Outdoor Sound Rating (dB)³	76	76	76	76
Outdoor Coil—Fin Type	Louvered	Louvered	Louvered	Louvered
Tube Type	Rifled	Rifled	Rifled	Rifled
Tube Size in. [mm] OD	0.375 [9.5]	0.375 [9.5]	0.375 [9.5]	0.375 [9.5]
Face Area sq. ft. [sq. m]	10.44 [0.97]	12.64 [1.17]	12.65 [1.18]	12.65 [1.18]
Rows / FPI [FPcm]	1 / 20 [8]	1 / 22 [9]	1 / 22 [9]	1 / 22 [9]
Indoor Coil—Fin Type	Louvered	Louvered	Louvered	Louvered
Tube Type	Rifled	Rifled	Rifled	Rifled
Tube Size in. [mm]	0.375 [9.5]	0.375 [9.5]	0.375 [9.5]	0.375 [9.5]
Face Area sq. ft. [sq. m]	4.33 [0.4]	4.33 [0.4]	4.33 [0.4]	4.33 [0.4]
Rows / FPI [FPcm]	2 / 15 [6]	2 / 15 [6]	2 / 15 [6]	2 / 15 [6]
Refrigerant Control	TX Valves	TX Valves	TX Valves	TX Valves
Drain Connection No./Size in. [mm] ⁴	1/1 [25.4]	1/1 [25.4]	1/1 [25.4]	1/1 [25.4]
Outdoor Fan—Type	Propeller	Propeller	Propeller	Propeller
No. Used/Diameter in. [mm]	1/24 [609.6]	1/24 [609.6]	1/24 [609.6]	1/24 [609.6]
Drive Type/No. Speeds	Direct/1	Direct/1	Direct/1	Direct/1
CFM [L/s]	3400 [1604]	3400 [1604]	3400 [1604]	3400 [1604]
No. Motors/HP	1 at 1/3 HP	1 at 1/3 HP	1 at 1/3 HP	1 at 1/3 HP
Motor RPM	875	875	875	875
Indoor Fan—Type	FC Centrifugal	FC Centrifugal	FC Centrifugal	FC Centrifugal
No. Used/Diameter in. [mm]	1/10x9 [254x228.6]	1/10x9 [254x228.6]	1/10x9 [254x228.6]	1/10x9 [254x228.6]
Drive Type/No. Speeds	Direct/2	Direct/2	Direct/2	Direct/2
No. Motors	1	1	1	1
Motor HP	1/4	1/3	1/2	1/2
Motor RPM (Nominal)	1033	1080	1050	1050
Motor Frame Size	48	48	48	48
Filter—Type	Field Supplied	Field Supplied	Field Supplied	Field Supplied
Furnished	No	No	No	No
(No.) Size Recommended in. [mm]	(1)1x20x16 [25x508x406]	(1)1x20x20 [25x508x508]	(1)1x24x24 [25x610x610]	(1)1x24x24 [25x610x610]
Refrigerant Charge Oz. [g] (R-410A)	70 [1984]	78 [2211]	78 [2211]	78 [2211]
Weights				
Net Weight lbs. [kg]	304 [138]	306 [139]	309 [140]	309 [140]
Ship Weight lbs. [kg]	328 [149]	330 [150]	333 [151]	333 [151]

[] Designates Metric Conversions

NOTES:

- Cooling Performance is rated at 95° F ambient, 80° F entering dry bulb, 67° F entering wet bulb. Gross capacity does not include the effect of fan motor heat. AHRI capacity is net and includes the effect of fan motor heat. Units are suitable for operation to ±20% of nominal cfm. Units are certified in accordance with the Unitary Air Conditioner Equipment certification program, which is based on AHRI Standard 210/240 or 360.
- EER and/or SEER are rated at AHRI conditions and in accordance with DOE test procedures.
- Outdoor Sound Rating shown is tested in accordance with AHRI Standard 270.
- Standard 3/4" PVC P-Trap provided.



NOMINAL SIZES 2-5 TONS [7-17.6 kW]

Model RSNM- Series	A042CK	A042JK	A048CK	A048JK
Cooling Performance¹				CONTINUED →
Gross Cooling Capacity Btu [kW]	43,000 [12.6]	43,000 [12.6]	48,000 [14.06]	48,000 [14.06]
EER/SEER ²	11.1/13	11.1/13	11.3/13	11.3/13
Nominal CFM/ARI Rated CFM [L/s]	1400/1400 [661/661]	1400/1400 [661/661]	1600/1550 [755/731]	1600/1550 [755/731]
ARI Net Cooling Capacity Btu [kW]	41,500 [12.16]	41,500 [12.16]	46,000 [13.48]	46,000 [13.48]
Net Sensible Capacity Btu [kW]	31,500 [9.23]	31,500 [9.23]	35,500 [10.4]	35,500 [10.4]
Net Latent Capacity Btu [kW]	10,000 [2.93]	10,000 [2.93]	10,500 [3.08]	10,500 [3.08]
Net System Power kW	3.74	3.74	4.07	4.07
Compressor				
No./Type	1/Scroll	1/Scroll	1/Scroll	1/Scroll
Outdoor Sound Rating (dB)³	76	76	78	78
Outdoor Coil—Fin Type	Louvered	Louvered	Louvered	Louvered
Tube Type	Rifled	Rifled	Rifled	Rifled
Tube Size in. [mm] OD	0.375 [9.5]	0.375 [9.5]	0.375 [9.5]	0.375 [9.5]
Face Area sq. ft. [sq. m]	12.65 [1.18]	12.65 [1.18]	16.54 [1.54]	16.54 [1.54]
Rows / FPI [FPcm]	1 / 22 [9]	1 / 22 [9]	1 / 22 [9]	1 / 22 [9]
Indoor Coil—Fin Type	Louvered	Louvered	Louvered	Louvered
Tube Type	Rifled	Rifled	Rifled	Rifled
Tube Size in. [mm]	0.375 [9.5]	0.375 [9.5]	0.375 [9.5]	0.375 [9.5]
Face Area sq. ft. [sq. m]	5.78 [0.54]	5.78 [0.54]	5.78 [0.54]	5.78 [0.54]
Rows / FPI [FPcm]	3 / 13 [5]	3 / 13 [5]	3 / 13 [5]	3 / 13 [5]
Refrigerant Control	TX Valves	TX Valves	TX Valves	TX Valves
Drain Connection No./Size in. [mm] ⁴	1/1 [25.4]	1/1 [25.4]	1/1 [25.4]	1/1 [25.4]
Outdoor Fan—Type	Propeller	Propeller	Propeller	Propeller
No. Used/Diameter in. [mm]	1/24 [609.6]	1/24 [609.6]	1/24 [609.6]	1/24 [609.6]
Drive Type/No. Speeds	Direct/1	Direct/1	Direct/1	Direct/1
CFM [L/s]	3400 [1604]	3400 [1604]	4200 [1982]	4200 [1982]
No. Motors/HP	1 at 1/3 HP	1 at 1/3 HP	1 at 1/3 HP	1 at 1/3 HP
Motor RPM	875	875	1075	1075
Indoor Fan—Type	FC Centrifugal	FC Centrifugal	FC Centrifugal	FC Centrifugal
No. Used/Diameter in. [mm]	1/11x9 [279.4x228.6]	1/11x9 [279.4x228.6]	1/11x9 [279.4x228.6]	1/11x9 [279.4x228.6]
Drive Type/No. Speeds	Direct/2	Direct/2	Direct/2	Direct/2
No. Motors	1	1	1	1
Motor HP	1/2	1/2	3/4	3/4
Motor RPM (Nominal)	1075	1075	1075	1075
Motor Frame Size	48	48	48	48
Filter—Type	Field Supplied	Field Supplied	Field Supplied	Field Supplied
Furnished	No	No	No	No
(No.) Size Recommended in. [mm]	(1)1x24x24 [25x610x610]	(1)1x24x24 [25x610x610]	(1)1x24x24 [25x610x610]	(1)1x24x24 [25x610x610]
Refrigerant Charge Oz. [g] (R-410A)	86 [2438]	86 [2438]	114 [3232]	114 [3232]
Weights				
Net Weight lbs. [kg]	333 [151]	333 [151]	349 [158]	349 [158]
Ship Weight lbs. [kg]	357 [162]	357 [162]	375 [170]	375 [170]

[] Designates Metric Conversions

NOTES:

1. Cooling Performance is rated at 95° F ambient, 80° F entering dry bulb, 67° F entering wet bulb. Gross capacity does not include the effect of fan motor heat. AHRI capacity is net and includes the effect of fan motor heat. Units are suitable for operation to ±20% of nominal cfm. Units are certified in accordance with the Unitary Air Conditioner Equipment certification program, which is based on AHRI Standard 210/240 or 360.
2. EER and/or SEER are rated at AHRI conditions and in accordance with DOE test procedures.
3. Outdoor Sound Rating shown is tested in accordance with AHRI Standard 270.
4. Standard 3/4" PVC P-Trap provided.



NOMINAL SIZES 2-5 TON [7-17.6 kW]

Model RSNM- Series	A060CK	A060JK
Cooling Performance¹		
Gross Cooling Capacity Btu [kW]	63,000 [18.46]	63,000 [18.46]
EER/SEER ²	11.3/13	11.3/13
Nominal CFM/ARI Rated CFM [L/s]	2000/1900 [944/897]	2000/1900 [944/897]
ARI Net Cooling Capacity Btu [kW]	60,000 [17.58]	60,000 [17.58]
Net Sensible Capacity Btu [kW]	45,000 [13.18]	45,000 [13.18]
Net Latent Capacity Btu [kW]	15,000 [4.4]	15,000 [4.4]
Net System Power kW	5.31	5.31
Compressor		
No./Type	1/Scroll	1/Scroll
Outdoor Sound Rating (dB)³		
	78	78
Outdoor Coil—Fin Type		
	Louvered	Louvered
Tube Type	Rifled	Rifled
Tube Size in. [mm] OD	0.375 [9.5]	0.375 [9.5]
Face Area sq. ft. [sq. m]	16.54 [1.54]	16.54 [1.54]
Rows / FPI [FPcm]	2 / 22 [9]	2 / 22 [9]
Indoor Coil—Fin Type		
	Louvered	Louvered
Tube Type	Rifled	Rifled
Tube Size in. [mm]	0.375 [9.5]	0.375 [9.5]
Face Area sq. ft. [sq. m]	5.78 [0.54]	5.78 [0.54]
Rows / FPI [FPcm]	4 / 13 [5]	4 / 13 [5]
Refrigerant Control	TX Valves	TX Valves
Drain Connection No./Size in. [mm] ⁴	1/1 [25.4]	1/1 [25.4]
Outdoor Fan—Type		
	Propeller	Propeller
No. Used/Diameter in. [mm]	1/24 [609.6]	1/24 [609.6]
Drive Type/No. Speeds	Direct/1	Direct/1
CFM [L/s]	4000 [1888]	4000 [1888]
No. Motors/HP	1 at 1/3 HP	1 at 1/3 HP
Motor RPM	1075	1075
Indoor Fan—Type		
	FC Centrifugal	FC Centrifugal
No. Used/Diameter in. [mm]	1/11x9 [279.4x228.6]	1/11x9 [279.4x228.6]
Drive Type/No. Speeds	Direct/2	Direct/2
No. Motors	1	1
Motor HP	3/4	3/4
Motor RPM (Nominal)	1075	1075
Motor Frame Size	48	48
Filter—Type		
	Field Supplied	Field Supplied
Furnished	No	No
(No.) Size Recommended in. [mm]	(1)1x24x24 [25x610x610]	(1)1x24x24 [25x610x610]
Refrigerant Charge Oz. [g] (R-410A)		
	178 [5046]	178 [5046]
Weights		
Net Weight lbs. [kg]	364 [165]	364 [165]
Ship Weight lbs. [kg]	390 [177]	390 [177]

[] Designates Metric Conversions

NOTES:

1. Cooling Performance is rated at 95° F ambient, 80° F entering dry bulb, 67° F entering wet bulb. Gross capacity does not include the effect of fan motor heat. AHRI capacity is net and includes the effect of fan motor heat. Units are suitable for operation to ±20% of nominal cfm. Units are certified in accordance with the Unitary Air Conditioner Equipment certification program, which is based on AHRI Standard 210/240 or 360.
2. EER and/or SEER are rated at AHRI conditions and in accordance with DOE test procedures.
3. Outdoor Sound Rating shown is tested in accordance with AHRI Standard 270.
4. Standard 3/4" PVC P-Trap provided.



NOMINAL SIZES 2-5 TON [7-17.6 kW]

Model RSPM- Series	A024JK	A030JK	A036CK	A036JK
Cooling Performance¹				CONTINUED →
Gross Cooling Capacity Btu [kW]	25,200 [7.38]	30,400 [8.91]	37,600 [11.02]	37,600 [11.02]
EER/SEER ²	12.4/14	12.25/14	12.2/14	12.2/14
Nominal CFM/ARI Rated CFM [L/s]	800/800 [378/378]	1000/1000 [472/472]	1200/1200 [566/566]	1200/1200 [566/566]
ARI Net Cooling Capacity Btu [kW]	24,200 [7.09]	29,200 [8.56]	36,200 [10.61]	36,200 [10.61]
Net Sensible Capacity Btu [kW]	18,800 [5.51]	23,000 [6.74]	27,700 [8.12]	27,700 [8.12]
Net Latent Capacity Btu [kW]	5,400 [1.58]	6,200 [1.82]	8,500 [2.49]	8,500 [2.49]
Net System Power kW	1.95	2.38	2.97	2.97
Compressor				
No./Type	1/Scroll	1/Scroll	1/Scroll	1/Scroll
Outdoor Sound Rating (dB)³	76	76	76	76
Outdoor Coil—Fin Type	Louvered	Louvered	Louvered	Louvered
Tube Type	Rifled	Rifled	Rifled	Rifled
Tube Size in. [mm] OD	0.375 [9.5]	0.375 [9.5]	0.375 [9.5]	0.375 [9.5]
Face Area sq. ft. [sq. m]	10.44 [0.97]	12.64 [1.17]	12.65 [1.18]	12.65 [1.18]
Rows / FPI [FPcm]	1 / 20 [8]	1 / 22 [9]	1 / 22 [9]	1 / 22 [9]
Indoor Coil—Fin Type	Louvered	Louvered	Louvered	Louvered
Tube Type	Rifled	Rifled	Rifled	Rifled
Tube Size in. [mm]	0.375 [9.5]	0.375 [9.5]	0.375 [9.5]	0.375 [9.5]
Face Area sq. ft. [sq. m]	4.33 [0.4]	4.33 [0.4]	4.33 [0.4]	4.33 [0.4]
Rows / FPI [FPcm]	2 / 15 [6]	2 / 15 [6]	2 / 15 [6]	2 / 15 [6]
Refrigerant Control	TX Valves	TX Valves	TX Valves	TX Valves
Drain Connection No./Size in. [mm] ⁴	1/1 [25.4]	1/1 [25.4]	1/1 [25.4]	1/1 [25.4]
Outdoor Fan—Type	Propeller	Propeller	Propeller	Propeller
No. Used/Diameter in. [mm]	1/24 [609.6]	1/24 [609.6]	1/24 [609.6]	1/24 [609.6]
Drive Type/No. Speeds	Direct/1	Direct/1	Direct/1	Direct/1
CFM [L/s]	3400 [1604]	3400 [1604]	3400 [1604]	3400 [1604]
No. Motors/HP	1 at 1/3 HP	1 at 1/3 HP	1 at 1/3 HP	1 at 1/3 HP
Motor RPM	875	875	875	875
Indoor Fan—Type	FC Centrifugal	FC Centrifugal	FC Centrifugal	FC Centrifugal
No. Used/Diameter in. [mm]	1/10x9 [254x228.6]	1/10x9 [254x228.6]	1/10x9 [254x228.6]	1/10x9 [254x228.6]
Drive Type/No. Speeds	Direct/2	Direct/2	Direct/2	Direct/2
No. Motors	1	1	1	1
Motor HP	1/4	1/3	1/2	1/2
Motor RPM (Nominal)	1050	1050	1050	1050
Motor Frame Size	48	48	48	48
Filter—Type	Field Supplied	Field Supplied	Field Supplied	Field Supplied
Furnished	No	No	No	No
(No.) Size Recommended in. [mm]	(1)1x20x16 [25x508x406]	(1)1x20x20 [25x508x508]	(1)1x24x24 [25x610x610]	(1)1x24x24 [25x610x610]
Refrigerant Charge Oz. [g] (R-410A)	70 [1984]	78 [2211]	78 [2211]	78 [2211]
Weights				
Net Weight lbs. [kg]	304 [138]	306 [139]	309 [140]	309 [140]
Ship Weight lbs. [kg]	328 [149]	330 [150]	333 [151]	333 [151]

[] Designates Metric Conversions

NOTES:

1. Cooling Performance is rated at 95° F ambient, 80° F entering dry bulb, 67° F entering wet bulb. Gross capacity does not include the effect of fan motor heat. AHRI capacity is net and includes the effect of fan motor heat. Units are suitable for operation to ±20% of nominal cfm. Units are certified in accordance with the Unitary Air Conditioner Equipment certification program, which is based on AHRI Standard 210/240 or 360.
2. EER and/or SEER are rated at AHRI conditions and in accordance with DOE test procedures.
3. Outdoor Sound Rating shown is tested in accordance with AHRI Standard 270.
4. Standard 3/4" PVC P-Trap provided.



NOMINAL SIZES 2-5 TONS [7-17.6 kW]

Model RSPM- Series	A042CK	A042JK	A043CK	A043JK
Cooling Performance¹				CONTINUED →
Gross Cooling Capacity Btu [kW]	43,500 [12.75]	43,500 [12.75]	43,000 [12.6]	43,000 [12.6]
EER/SEER ²	11.85/14	11.85/14	12/14	12/14
Nominal CFM/ARI Rated CFM [L/s]	1400/1400 [661/661]	1400/1400 [661/661]	1400/1400 [661/661]	1400/1400 [661/661]
ARI Net Cooling Capacity Btu [kW]	42,000 [12.31]	42,000 [12.31]	42,000 [12.31]	42,000 [12.31]
Net Sensible Capacity Btu [kW]	32,500 [9.52]	32,500 [9.52]	32,000 [9.38]	32,000 [9.38]
Net Latent Capacity Btu [kW]	9,500 [2.78]	9,500 [2.78]	10,000 [2.93]	10,000 [2.93]
Net System Power kW	3.53	3.53	3.5	3.5
Compressor				
No./Type	1/Scroll	1/Scroll	1/Scroll	1/Scroll
Outdoor Sound Rating (dB)³	76	76	76	76
Outdoor Coil—Fin Type	Louvered	Louvered	Louvered	Louvered
Tube Type	Rifled	Rifled	Rifled	Rifled
Tube Size in. [mm] OD	0.375 [9.5]	0.375 [9.5]	0.375 [9.5]	0.375 [9.5]
Face Area sq. ft. [sq. m]	12.65 [1.18]	12.65 [1.18]	12.65 [1.18]	12.65 [1.18]
Rows / FPI [FPcm]	1 / 22 [9]	1 / 22 [9]	1 / 22 [9]	1 / 22 [9]
Indoor Coil—Fin Type	Louvered	Louvered	Louvered	Louvered
Tube Type	Rifled	Rifled	Rifled	Rifled
Tube Size in. [mm]	0.375 [9.5]	0.375 [9.5]	0.375 [9.5]	0.375 [9.5]
Face Area sq. ft. [sq. m]	5.78 [0.54]	5.78 [0.54]	5.78 [0.54]	5.78 [0.54]
Rows / FPI [FPcm]	3 / 13 [5]	3 / 13 [5]	3 / 13 [5]	3 / 13 [5]
Refrigerant Control	TX Valves	TX Valves	TX Valves	TX Valves
Drain Connection No./Size in. [mm] ⁴	1/1 [25.4]	1/1 [25.4]	1/1 [25.4]	1/1 [25.4]
Outdoor Fan—Type	Propeller	Propeller	Propeller	Propeller
No. Used/Diameter in. [mm]	1/24 [609.6]	1/24 [609.6]	1/24 [609.6]	1/24 [609.6]
Drive Type/No. Speeds	Direct/1	Direct/1	Direct/1	Direct/1
CFM [L/s]	3400 [1604]	3400 [1604]	3400 [1604]	3400 [1604]
No. Motors/HP	1 at 1/3 HP	1 at 1/3 HP	1 at 1/3 HP	1 at 1/3 HP
Motor RPM	875	875	850	850
Indoor Fan—Type	FC Centrifugal	FC Centrifugal	FC Centrifugal	FC Centrifugal
No. Used/Diameter in. [mm]	1/11x9 [279.4x228.6]	1/11x9 [279.4x228.6]	1/11x9 [279x229]	1/11x9 [279x229]
Drive Type/No. Speeds	Direct/2	Direct/2	Direct/2	Direct/2
No. Motors	1	1	1	1
Motor HP	1/2	1/2	1/2	1/2
Motor RPM (Nominal)	1050	1050	1075	1075
Motor Frame Size	48	48	48	48
Filter—Type	Field Supplied	Field Supplied	Field Supplied	Field Supplied
Furnished	No	No	No	No
(No.) Size Recommended in. [mm]	(1)1x24x24 [25x610x610]	(1)1x24x24 [25x610x610]	(1)1x24x24 [25x610x610]	(1)1x24x24 [25x610x610]
Refrigerant Charge Oz. [g] (R-410A)	86 [2438]	86 [2438]	86 [2438]	86 [2438]
Weights				
Net Weight lbs. [kg]	333 [151]	333 [151]	333 [151]	333 [151]
Ship Weight lbs. [kg]	357 [162]	357 [162]	357 [162]	357 [162]

[] Designates Metric Conversions

NOTES:

1. Cooling Performance is rated at 95° F ambient, 80° F entering dry bulb, 67° F entering wet bulb. Gross capacity does not include the effect of fan motor heat. AHRI capacity is net and includes the effect of fan motor heat. Units are suitable for operation to ±20% of nominal cfm. Units are certified in accordance with the Unitary Air Conditioner Equipment certification program, which is based on AHRI Standard 210/240 or 360.
2. EER and/or SEER are rated at AHRI conditions and in accordance with DOE test procedures.
3. Outdoor Sound Rating shown is tested in accordance with AHRI Standard 270.
4. Standard 3/4" PVC P-Trap provided.

**NOMINAL SIZES 2-5 TONS [7-17.6 kW]**

Model RSPM- Series	A048CK	A048JK	A060CK	A060JK
Cooling Performance¹				
Gross Cooling Capacity Btu [kW]	49,000 [14.36]	49,000 [14.36]	64,000 [18.75]	64,000 [18.75]
EER/SEER ²	12.6/14	12.6/14	12.35/14	12.35/14
Nominal CFM/ARI Rated CFM [L/s]	1600/1600 [755/755]	1600/1600 [755/755]	2000/1900 [944/897]	2000/1900 [944/897]
ARI Net Cooling Capacity Btu [kW]	47,000 [13.77]	47,000 [13.77]	61,000 [17.87]	61,000 [17.87]
Net Sensible Capacity Btu [kW]	36,400 [10.67]	36,400 [10.67]	45,500 [13.33]	45,500 [13.33]
Net Latent Capacity Btu [kW]	10,600 [3.11]	10,600 [3.11]	15,500 [4.54]	15,500 [4.54]
Net System Power kW	3.61	3.61	4.94	4.94
Compressor				
No./Type	1/Scroll	1/Scroll	1/Scroll	1/Scroll
Outdoor Sound Rating (dB)³				
	78	78	78	78
Outdoor Coil—Fin Type				
Tube Type	Louvered	Louvered	Louvered	Louvered
Tube Size in. [mm] OD	Rifled	Rifled	Rifled	Rifled
Tube Size in. [mm] OD	0.375 [9.5]	0.375 [9.5]	0.375 [9.5]	0.375 [9.5]
Face Area sq. ft. [sq. m]	16.54 [1.54]	16.54 [1.54]	16.54 [1.54]	16.54 [1.54]
Rows / FPI [FPcm]	1 / 22 [9]	1 / 22 [9]	2 / 22 [9]	2 / 22 [9]
Indoor Coil—Fin Type				
Tube Type	Louvered	Louvered	Louvered	Louvered
Tube Type	Rifled	Rifled	Rifled	Rifled
Tube Size in. [mm]	0.375 [9.5]	0.375 [9.5]	0.375 [9.5]	0.375 [9.5]
Face Area sq. ft. [sq. m]	5.78 [0.54]	5.78 [0.54]	5.78 [0.54]	5.78 [0.54]
Rows / FPI [FPcm]	3 / 13 [5]	3 / 13 [5]	4 / 13 [5]	4 / 13 [5]
Refrigerant Control	TX Valves	TX Valves	TX Valves	TX Valves
Drain Connection No./Size in. [mm] ⁴	1/1 [25.4]	1/1 [25.4]	1/1 [25.4]	1/1 [25.4]
Outdoor Fan—Type				
Propeller	Propeller	Propeller	Propeller	Propeller
No. Used/Diameter in. [mm]	1/24 [609.6]	1/24 [609.6]	1/24 [609.6]	1/24 [609.6]
Drive Type/No. Speeds	Direct/1	Direct/1	Direct/1	Direct/1
CFM [L/s]	4200 [1982]	4200 [1982]	4000 [1888]	4000 [1888]
No. Motors/HP	1 at 1/3 HP	1 at 1/3 HP	1 at 1/3 HP	1 at 1/3 HP
Motor RPM	1075	1075	1075	1075
Indoor Fan—Type				
FC Centrifugal	FC Centrifugal	FC Centrifugal	FC Centrifugal	FC Centrifugal
No. Used/Diameter in. [mm]	1/11x9 [279.4x228.6]	1/11x9 [279.4x228.6]	1/11x9 [279.4x228.6]	1/11x9 [279.4x228.6]
Drive Type/No. Speeds	Direct/2	Direct/2	Direct/2	Direct/2
No. Motors	1	1	1	1
Motor HP	3/4	3/4	3/4	3/4
Motor RPM (Nominal)	1050	1050	1050	1050
Motor Frame Size	48	48	48	48
Filter—Type				
Field Supplied	Field Supplied	Field Supplied	Field Supplied	Field Supplied
Furnished	No	No	No	No
(No.) Size Recommended in. [mm]	(1)1x24x24 [25x610x610]	(1)1x24x24 [25x610x610]	(1)1x24x24 [25x610x610]	(1)1x24x24 [25x610x610]
Refrigerant Charge Oz. [g] (R-410A)				
	114 [3232]	114 [3232]	178 [5046]	178 [5046]
Weights				
Net Weight lbs. [kg]	349 [158]	349 [158]	364 [165]	364 [165]
Ship Weight lbs. [kg]	375 [170]	375 [170]	390 [177]	390 [177]

[] Designates Metric Conversions

NOTES:

1. Cooling Performance is rated at 95° F ambient, 80° F entering dry bulb, 67° F entering wet bulb. Gross capacity does not include the effect of fan motor heat. AHRI capacity is net and includes the effect of fan motor heat. Units are suitable for operation to ±20% of nominal cfm. Units are certified in accordance with the Unitary Air Conditioner Equipment certification program, which is based on AHRI Standard 210/240 or 360.
2. EER and/or SEER are rated at AHRI conditions and in accordance with DOE test procedures.
3. Outdoor Sound Rating shown is tested in accordance with AHRI Standard 270.
4. Standard 3/4" PVC P-Trap provided.



GROSS SYSTEMS PERFORMANCE DATA—RSNM-A024

		ENTERING INDOOR AIR @ 80°F [26.7°C] dbE ①									
wbE		71°F [21.7°C]			67°F [19.4°C]			63°F [17.2°C]			
CFM [L/s]		960 [453]	800 [378]	640 [302]	960 [453]	800 [378]	640 [302]	960 [453]	800 [378]	640 [302]	
DR ①		.12	.08	.03	.12	.08	.03	.12	.08	.03	
OUTDOOR DRY BULB TEMPERATURE °F [°C]	75 [23.9]	Total BTUH [kW] Sens BTUH [kW] Power	30.5 [8.94] 19.0 [5.57] 1.5	29.4 [8.62] 17.4 [5.10] 1.5	28.4 [8.32] 15.8 [4.63] 1.5	28.5 [8.35] 22.4 [6.56] 1.5	27.5 [8.06] 20.5 [6.01] 1.5	26.5 [7.77] 18.6 [5.45] 1.5	26.9 [7.88] 25.8 [7.56] 1.5	26.0 [7.62] 23.6 [6.92] 1.5	25.0 [7.33] 21.4 [6.27] 1.5
	80 [26.7]	Total BTUH [kW] Sens BTUH [kW] Power	30.0 [8.79] 18.8 [5.51] 1.6	28.9 [8.47] 17.2 [5.04] 1.6	27.9 [8.18] 15.6 [4.57] 1.6	27.9 [8.18] 22.2 [6.51] 1.6	27.0 [7.91] 20.3 [5.95] 1.6	26.0 [7.62] 18.4 [5.39] 1.6	26.4 [7.74] 25.6 [7.50] 1.6	25.4 [7.44] 23.4 [6.86] 1.6	24.5 [7.18] 21.2 [6.21] 1.6
	85 [29.4]	Total BTUH [kW] Sens BTUH [kW] Power	29.3 [8.59] 18.5 [5.42] 1.7	28.3 [8.29] 17.0 [4.98] 1.7	27.2 [7.97] 15.4 [4.51] 1.6	27.3 [8.00] 21.9 [6.42] 1.7	26.3 [7.71] 20.0 [5.86] 1.7	25.4 [7.44] 18.2 [5.33] 1.6	25.7 [7.53] 25.3 [7.41] 1.7	24.8 [7.27] 23.2 [6.80] 1.7	23.9 [7.00] 21.0 [6.15] 1.7
	90 [32.2]	Total BTUH [kW] Sens BTUH [kW] Power	28.5 [8.35] 18.2 [5.33] 1.8	27.5 [8.06] 16.6 [4.86] 1.8	26.5 [7.77] 15.1 [4.43] 1.7	26.5 [7.77] 21.5 [6.30] 1.8	25.6 [7.50] 19.7 [5.77] 1.7	24.6 [7.21] 17.9 [5.25] 1.7	24.9 [7.30] 24.9 [7.30] 1.8	24.0 [7.03] 22.8 [6.68] 1.8	23.2 [6.80] 20.7 [6.07] 1.7
	95 [35]	Total BTUH [kW] Sens BTUH [kW] Power	27.6 [8.09] 17.8 [5.22] 1.9	26.7 [7.83] 16.2 [4.75] 1.8	25.7 [7.53] 14.7 [4.31] 1.8	25.6 [7.50] 21.1 [6.18] 1.9	24.7 [7.24] 19.3 [5.66] 1.8	23.8 [6.98] 17.5 [5.13] 1.8	24.0 [7.03] 24.0 [7.03] 1.9	23.2 [6.80] 22.5 [6.59] 1.8	22.4 [6.56] 20.3 [5.95] 1.8
	100 [37.8]	Total BTUH [kW] Sens BTUH [kW] Power	26.7 [7.83] 17.3 [5.07] 2.0	25.8 [7.56] 15.8 [4.63] 1.9	24.8 [7.27] 14.4 [4.22] 1.9	24.7 [7.24] 20.7 [6.07] 1.9	23.8 [6.98] 18.9 [5.54] 1.9	23.0 [6.74] 17.1 [5.01] 1.9	23.1 [6.77] 23.1 [6.77] 2.0	22.3 [6.54] 22.0 [6.45] 1.9	21.5 [6.30] 20.0 [5.86] 1.9
	105 [40.6]	Total BTUH [kW] Sens BTUH [kW] Power	25.7 [7.53] 16.8 [4.92] 2.0	24.8 [7.27] 15.4 [4.51] 2.0	23.9 [7.00] 13.9 [4.07] 2.0	23.7 [6.95] 20.2 [5.92] 2.0	22.9 [6.71] 18.5 [5.42] 2.0	22.1 [6.48] 16.7 [4.89] 2.0	22.1 [6.48] 22.1 [6.48] 2.0	21.4 [6.27] 21.4 [6.27] 2.0	20.6 [6.04] 19.6 [5.74] 2.0
	110 [43.3]	Total BTUH [kW] Sens BTUH [kW] Power	24.7 [7.24] 16.3 [4.78] 2.1	23.9 [7.00] 14.9 [4.37] 2.1	23.0 [6.74] 13.5 [3.96] 2.1	22.7 [6.65] 19.7 [5.77] 2.1	21.9 [6.42] 18.0 [5.28] 2.1	21.1 [6.18] 16.3 [4.78] 2.0	21.2 [6.21] 21.2 [6.21] 2.1	20.4 [5.98] 20.4 [5.98] 2.1	19.7 [5.77] 19.1 [5.60] 2.1
	115 [46.1]	Total BTUH [kW] Sens BTUH [kW] Power	23.8 [6.98] 15.8 [4.63] 2.2	22.9 [6.71] 14.5 [4.25] 2.2	22.1 [6.48] 13.1 [3.84] 2.1	21.7 [6.36] 19.2 [5.63] 2.2	21.0 [6.15] 17.5 [5.13] 2.2	20.2 [5.92] 15.9 [4.66] 2.1	20.2 [5.92] 20.2 [5.92] 2.2	19.5 [5.71] 19.5 [5.71] 2.2	18.7 [5.48] 18.7 [5.48] 2.1

GROSS SYSTEMS PERFORMANCE DATA—RSNM-A030

		ENTERING INDOOR AIR @ 80°F [26.7°C] dbE ①									
wbE		71°F [21.7°C]			67°F [19.4°C]			63°F [17.2°C]			
CFM [L/s]		1200 [566]	1000 [472]	800 [378]	1200 [566]	1000 [472]	800 [378]	1200 [566]	1000 [472]	800 [378]	
DR ①		.15	.11	.07	.15	.11	.07	.15	.11	.07	
OUTDOOR DRY BULB TEMPERATURE °F [°C]	75 [23.9]	Total BTUH [kW] Sens BTUH [kW] Power	37.8 [11.08] 23.3 [6.83] 2.0	36.5 [10.70] 21.3 [6.24] 2.0	35.1 [10.29] 19.3 [5.66] 1.9	34.9 [10.23] 27.2 [7.97] 1.9	33.7 [9.88] 24.9 [7.30] 1.9	32.5 [9.52] 22.5 [6.59] 1.8	33.4 [9.79] 31.6 [9.26] 2.0	32.2 [9.44] 28.9 [8.47] 2.0	31.1 [9.11] 26.2 [7.68] 1.9
	80 [26.7]	Total BTUH [kW] Sens BTUH [kW] Power	37.0 [10.84] 23.1 [6.77] 2.1	35.7 [10.46] 21.2 [6.21] 2.0	34.4 [10.08] 19.2 [5.63] 2.0	34.2 [10.02] 27.0 [7.91] 2.0	33.0 [9.67] 24.7 [7.24] 1.9	31.8 [9.32] 22.4 [6.56] 1.9	32.6 [9.55] 31.6 [9.26] 2.1	31.5 [9.23] 28.8 [8.44] 2.0	30.3 [8.88] 26.1 [7.65] 2.0
	85 [29.4]	Total BTUH [kW] Sens BTUH [kW] Power	36.1 [10.58] 22.7 [6.65] 2.2	34.8 [10.20] 20.8 [6.10] 2.1	33.5 [9.82] 18.9 [5.54] 2.1	33.2 [9.73] 26.6 [7.80] 2.1	32.0 [9.38] 24.4 [7.15] 2.0	30.9 [9.06] 22.1 [6.48] 2.0	31.7 [9.29] 31.1 [9.11] 2.2	30.6 [8.97] 28.4 [8.32] 2.1	29.4 [8.62] 25.8 [7.56] 2.1
	90 [32.2]	Total BTUH [kW] Sens BTUH [kW] Power	35.0 [10.26] 22.2 [6.51] 2.2	33.8 [9.91] 20.3 [5.95] 2.2	32.5 [9.52] 18.4 [5.39] 2.2	32.1 [9.41] 26.1 [7.65] 2.1	31.0 [9.09] 23.9 [7.00] 2.1	29.9 [8.76] 21.6 [6.33] 2.1	30.6 [8.97] 30.4 [8.91] 2.2	29.5 [8.65] 27.9 [8.18] 2.2	28.4 [8.32] 25.3 [7.41] 2.2
	95 [35]	Total BTUH [kW] Sens BTUH [kW] Power	33.9 [9.94] 21.6 [6.33] 2.3	32.7 [9.58] 19.8 [5.80] 2.3	31.5 [9.23] 17.9 [5.25] 2.2	31.0 [9.09] 25.5 [7.47] 2.2	29.9 [8.76] 23.3 [6.83] 2.2	28.8 [8.44] 21.1 [6.18] 2.1	29.5 [8.65] 29.5 [8.65] 2.3	28.4 [8.32] 27.4 [8.03] 2.3	27.4 [8.03] 24.8 [7.27] 2.2
	100 [37.8]	Total BTUH [kW] Sens BTUH [kW] Power	32.7 [9.58] 21.0 [6.15] 2.4	31.6 [9.26] 19.2 [5.63] 2.4	30.4 [8.91] 17.4 [5.10] 2.3	29.9 [8.76] 24.9 [7.30] 2.3	28.8 [8.44] 22.8 [6.68] 2.3	27.8 [8.15] 20.6 [6.04] 2.2	28.3 [8.29] 28.3 [8.29] 2.4	27.3 [8.00] 26.8 [7.85] 2.4	26.3 [7.71] 24.3 [7.12] 2.3
	105 [40.6]	Total BTUH [kW] Sens BTUH [kW] Power	31.7 [9.29] 20.5 [6.01] 2.5	30.5 [8.94] 18.7 [5.48] 2.4	29.4 [8.62] 17.0 [4.98] 2.4	28.8 [8.44] 24.4 [7.15] 2.4	27.8 [8.15] 22.3 [6.54] 2.3	26.8 [7.85] 20.2 [5.92] 2.3	27.3 [8.00] 27.3 [8.00] 2.5	26.3 [7.71] 26.3 [7.71] 2.4	25.4 [7.44] 23.9 [7.00] 2.4
	110 [43.3]	Total BTUH [kW] Sens BTUH [kW] Power	30.7 [9.00] 20.1 [5.89] 2.6	29.6 [8.67] 18.4 [5.39] 2.5	28.5 [8.35] 16.7 [4.89] 2.5	27.8 [8.15] 24.0 [7.03] 2.5	26.9 [7.88] 22.0 [6.45] 2.4	25.9 [7.59] 19.9 [5.83] 2.4	26.3 [7.71] 26.3 [7.71] 2.6	25.4 [7.44] 25.4 [7.44] 2.5	24.5 [7.18] 23.6 [6.92] 2.5
	115 [46.1]	Total BTUH [kW] Sens BTUH [kW] Power	29.9 [8.76] 20.0 [5.86] 2.6	28.9 [8.47] 18.3 [5.36] 2.6	27.8 [8.15] 16.6 [4.86] 2.6	27.1 [7.94] 23.9 [7.00] 2.5	26.1 [7.65] 21.9 [6.42] 2.5	25.2 [7.39] 19.8 [5.80] 2.5	25.5 [7.47] 25.5 [7.47] 2.6	24.6 [7.21] 24.6 [7.21] 2.6	23.7 [6.95] 23.5 [6.89] 2.6

DR —Depression ratio
dbE—Entering air dry bulb
wbE—Entering air wet bulb

Total —Total capacity x 1000 BTUH
Sens —Sensible capacity x 1000 BTUH
Power—KW input

NOTES: ① When the entering air dry bulb is other than 80°F [27°C], adjust the sensible capacity from the table by adding $[1.10 \times \text{CFM} \times (1 - \text{DR}) \times (\text{dbE} - 80)]$.

[] Designates Metric Conversions



SYSTEMS PERFORMANCE—RSNM- SERIES

GROSS SYSTEMS PERFORMANCE DATA—RSNM-A036

		ENTERING INDOOR AIR @ 80°F [26.7°C] dbE ①									
wbE		71°F [21.7°C]			67°F [19.4°C]			63°F [17.2°C]			
CFM [L/s]		1440 [680]	1200 [566]	960 [453]	1440 [680]	1200 [566]	960 [453]	1440 [680]	1200 [566]	960 [453]	
DR ①		.14	.10	.06	.14	.10	.06	.14	.10	.06	
OUTDOOR DRY BULB TEMPERATURE °F [°C]	75 [23.9]	Total BTUH [kW] Sens BTUH [kW] Power	45.6 [13.36] 28.7 [8.41] 2.4	44.0 [12.90] 26.2 [7.68] 2.3	42.4 [12.43] 23.8 [6.98] 2.3	42.9 [12.57] 33.8 [9.91] 2.3	41.4 [12.13] 30.9 [9.06] 2.3	39.9 [11.69] 28.1 [8.24] 2.2	40.2 [11.78] 38.5 [11.28] 2.3	38.8 [11.37] 35.3 [10.35] 2.3	37.4 [10.96] 32.0 [9.38] 2.3
	80 [26.7]	Total BTUH [kW] Sens BTUH [kW] Power	44.8 [13.13] 28.0 [8.21] 2.5	43.2 [12.66] 25.6 [7.50] 2.5	41.6 [12.19] 23.2 [6.80] 2.4	42.1 [12.34] 33.2 [9.73] 2.4	40.6 [11.90] 30.4 [8.91] 2.4	39.2 [11.49] 27.5 [8.06] 2.4	39.4 [11.55] 38.1 [11.17] 2.5	38.0 [11.14] 34.7 [10.17] 2.4	36.6 [10.73] 31.5 [9.23] 2.4
	85 [29.4]	Total BTUH [kW] Sens BTUH [kW] Power	43.7 [12.81] 27.4 [8.03] 2.6	42.2 [12.37] 25.0 [7.33] 2.6	40.6 [11.90] 22.7 [6.65] 2.5	41.1 [12.05] 32.6 [9.55] 2.6	39.6 [11.61] 29.8 [8.73] 2.5	38.2 [11.20] 27.0 [7.91] 2.5	38.3 [11.22] 37.5 [10.99] 2.6	37.0 [10.84] 34.1 [9.99] 2.5	35.6 [10.43] 30.9 [9.06] 2.5
	90 [32.2]	Total BTUH [kW] Sens BTUH [kW] Power	42.5 [12.46] 26.8 [7.85] 2.7	41.0 [12.02] 24.5 [7.18] 2.7	39.5 [11.58] 22.2 [6.51] 2.7	39.8 [11.66] 31.9 [9.35] 2.7	38.4 [11.25] 29.2 [8.56] 2.6	37.0 [10.84] 26.5 [7.77] 2.6	37.1 [10.87] 36.6 [10.73] 2.7	35.8 [10.49] 33.5 [9.82] 2.7	34.5 [10.11] 30.4 [8.91] 2.6
	95 [35]	Total BTUH [kW] Sens BTUH [kW] Power	41.2 [12.07] 26.2 [7.68] 2.9	39.7 [11.63] 23.9 [7.00] 2.8	38.3 [11.22] 21.7 [6.36] 2.8	38.5 [11.28] 31.3 [9.17] 2.8	37.2 [10.90] 28.7 [8.41] 2.8	35.8 [10.49] 26.0 [7.62] 2.7	35.8 [10.49] 35.8 [10.49] 2.8	34.5 [10.11] 33.1 [9.70] 2.8	33.3 [9.76] 29.9 [8.76] 2.7
	100 [37.8]	Total BTUH [kW] Sens BTUH [kW] Power	39.8 [11.66] 25.6 [7.50] 3.0	38.4 [11.25] 23.4 [6.86] 2.9	37.0 [10.84] 21.2 [6.21] 2.9	37.1 [10.87] 30.8 [9.03] 2.9	35.8 [10.49] 28.1 [8.24] 2.9	34.5 [10.11] 25.5 [7.47] 2.8	34.4 [10.08] 34.4 [10.08] 3.0	33.2 [9.73] 32.5 [9.52] 2.9	32.0 [9.38] 29.5 [8.65] 2.9
	105 [40.6]	Total BTUH [kW] Sens BTUH [kW] Power	38.4 [11.25] 25.0 [7.33] 3.1	37.1 [10.87] 22.9 [6.71] 3.1	35.7 [10.46] 20.8 [6.10] 3.0	35.8 [10.49] 30.2 [8.85] 3.1	34.5 [10.11] 27.6 [8.09] 3.0	33.3 [9.76] 25.0 [7.33] 3.0	33.0 [9.67] 33.0 [9.67] 3.1	31.9 [9.35] 31.9 [9.35] 3.0	30.7 [9.00] 29.0 [8.50] 3.0
	110 [43.3]	Total BTUH [kW] Sens BTUH [kW] Power	37.1 [10.87] 24.5 [7.18] 3.2	35.8 [10.49] 22.4 [6.56] 3.2	34.5 [10.11] 20.3 [5.95] 3.1	34.5 [10.11] 29.7 [8.70] 3.2	33.3 [9.76] 27.1 [7.94] 3.1	32.1 [9.41] 24.6 [7.21] 3.1	31.7 [9.29] 31.7 [9.29] 3.2	30.6 [8.97] 30.6 [8.97] 3.1	29.5 [8.65] 28.5 [8.35] 3.1
	115 [46.1]	Total BTUH [kW] Sens BTUH [kW] Power	36.0 [10.55] 24.0 [7.03] 3.4	34.7 [10.17] 21.9 [6.42] 3.3	33.5 [9.82] 19.9 [5.83] 3.2	33.3 [9.76] 29.1 [8.53] 3.3	32.2 [9.44] 26.7 [7.83] 3.2	31.0 [9.09] 24.2 [7.09] 3.2	30.6 [8.97] 30.6 [8.97] 3.3	29.5 [8.65] 29.5 [8.65] 3.3	28.4 [8.32] 28.1 [8.24] 3.2

GROSS SYSTEMS PERFORMANCE DATA—RSNM-A042

		ENTERING INDOOR AIR @ 80°F [26.7°C] dbE ①									
wbE		71°F [21.7°C]			67°F [19.4°C]			63°F [17.2°C]			
CFM [L/s]		1680 [793]	1400 [661]	1120 [529]	1680 [793]	1400 [661]	1120 [529]	1680 [793]	1400 [661]	1120 [529]	
DR ①		.15	.11	.07	.15	.11	.07	.15	.11	.07	
OUTDOOR DRY BULB TEMPERATURE °F [°C]	75 [23.9]	Total BTUH [kW] Sens BTUH [kW] Power	52.7 [15.44] 32.8 [9.61] 2.7	50.9 [14.92] 30.0 [8.79] 2.7	49.0 [14.36] 27.2 [7.97] 2.6	50.0 [14.65] 39.1 [11.46] 2.7	48.2 [14.13] 35.7 [10.46] 2.6	46.5 [13.63] 32.4 [9.50] 2.6	46.4 [13.60] 44.0 [12.90] 2.7	44.8 [13.13] 40.4 [11.84] 2.6	43.2 [12.66] 36.6 [10.73] 2.6
	80 [26.7]	Total BTUH [kW] Sens BTUH [kW] Power	51.8 [15.18] 32.0 [9.38] 2.9	50.0 [14.65] 29.3 [8.59] 2.8	48.2 [14.13] 26.5 [7.77] 2.8	49.0 [14.36] 38.3 [11.22] 2.8	47.3 [13.86] 35.0 [10.26] 2.8	45.6 [13.36] 31.7 [9.29] 2.7	45.5 [13.33] 43.6 [12.78] 2.9	43.9 [12.87] 39.7 [11.63] 2.8	42.3 [12.40] 36.0 [10.55] 2.8
	85 [29.4]	Total BTUH [kW] Sens BTUH [kW] Power	50.5 [14.80] 31.3 [9.17] 3.0	48.8 [14.30] 28.6 [8.38] 3.0	47.0 [13.77] 25.9 [7.59] 2.9	47.8 [14.01] 37.6 [11.02] 3.0	46.1 [13.51] 34.4 [10.08] 2.9	44.4 [13.01] 31.1 [9.11] 2.9	44.2 [12.95] 42.9 [12.57] 3.0	42.7 [12.51] 39.0 [11.43] 3.0	41.1 [12.05] 35.4 [10.37] 2.9
	90 [32.2]	Total BTUH [kW] Sens BTUH [kW] Power	49.1 [14.39] 30.6 [8.97] 3.2	47.3 [13.86] 28.0 [8.21] 3.2	45.6 [13.36] 25.4 [7.44] 3.1	46.3 [13.57] 36.9 [10.81] 3.2	44.7 [13.10] 33.7 [9.88] 3.1	43.0 [12.60] 30.6 [8.97] 3.0	42.8 [12.54] 41.9 [12.28] 3.2	41.3 [12.10] 38.4 [11.25] 3.1	39.8 [11.66] 34.8 [10.20] 3.1
	95 [35]	Total BTUH [kW] Sens BTUH [kW] Power	47.5 [13.92] 30.0 [8.79] 3.4	45.8 [13.42] 27.4 [8.03] 3.3	44.1 [12.92] 24.8 [7.27] 3.3	44.7 [13.10] 36.2 [10.61] 3.3	43.1 [12.63] 33.1 [9.70] 3.3	41.6 [12.19] 30.0 [8.79] 3.2	41.2 [12.07] 41.2 [12.07] 3.3	39.7 [11.63] 37.8 [11.08] 3.3	38.3 [11.22] 34.3 [10.05] 3.2
	100 [37.8]	Total BTUH [kW] Sens BTUH [kW] Power	45.9 [13.45] 29.3 [8.59] 3.5	44.3 [12.98] 26.8 [7.85] 3.5	42.7 [12.51] 24.3 [7.12] 3.4	43.1 [12.63] 35.6 [10.43] 3.5	41.6 [12.19] 32.6 [9.55] 3.4	40.1 [11.75] 29.5 [8.65] 3.4	39.6 [11.61] 39.6 [11.61] 3.5	38.2 [11.20] 37.2 [10.90] 3.4	36.8 [10.79] 33.8 [9.91] 3.4
	105 [40.6]	Total BTUH [kW] Sens BTUH [kW] Power	44.4 [13.01] 28.7 [8.41] 3.7	42.9 [12.57] 26.3 [7.71] 3.6	41.3 [12.10] 23.8 [6.98] 3.6	41.7 [12.22] 35.0 [10.26] 3.6	40.2 [11.78] 32.0 [9.38] 3.6	38.8 [11.37] 29.0 [8.50] 3.5	38.2 [11.20] 38.2 [11.20] 3.7	36.8 [10.79] 36.7 [10.76] 3.6	35.5 [10.40] 33.3 [9.76] 3.5
	110 [43.3]	Total BTUH [kW] Sens BTUH [kW] Power	43.3 [12.69] 28.1 [8.24] 3.9	41.7 [12.22] 25.7 [7.53] 3.8	40.2 [11.78] 23.3 [6.83] 3.7	40.5 [11.87] 34.4 [10.08] 3.8	39.1 [11.46] 31.5 [9.23] 3.7	37.7 [11.05] 28.5 [8.35] 3.7	37.0 [10.84] 37.0 [10.84] 3.8	35.7 [10.46] 35.7 [10.46] 3.8	34.4 [10.08] 32.8 [9.61] 3.7
	115 [46.1]	Total BTUH [kW] Sens BTUH [kW] Power	42.4 [12.43] 27.5 [8.06] 4.0	40.9 [11.99] 25.2 [7.39] 3.9	39.4 [11.55] 22.8 [6.68] 3.9	39.7 [11.63] 33.8 [9.91] 4.0	38.3 [11.22] 30.9 [9.06] 3.9	36.9 [10.81] 28.0 [8.21] 4.0	36.1 [10.58] 36.1 [10.58] 4.0	34.9 [10.23] 34.9 [10.23] 3.9	33.6 [9.85] 32.3 [9.47] 3.9

DR —Depression ratio
dbE—Entering air dry bulb
wbE—Entering air wet bulb

Total —Total capacity x 1000 BTUH
Sens —Sensible capacity x 1000 BTUH
Power—KW input

NOTES: ① When the entering air dry bulb is other than 80°F [27°C], adjust the sensible capacity from the table by adding $[1.10 \times \text{CFM} \times (1 - \text{DR}) \times (\text{dbE} - 80)]$.

[] Designates Metric Conversions

SYSTEMS PERFORMANCE—RSNM- SERIES



GROSS SYSTEMS PERFORMANCE DATA—RSNM-A048

		ENTERING INDOOR AIR @ 80°F [26.7°C] dbE ①									
wbE		71°F [21.7°C]			67°F [19.4°C]			63°F [17.2°C]			
CFM [L/s]		1860 [878]	1550 [732]	1240 [585]	1860 [878]	1550 [732]	1240 [585]	1860 [878]	1550 [732]	1240 [585]	
DR ①		.12	.08	.03	.12	.08	.03	.12	.08	.03	
OUTDOOR DRY BULB TEMPERATURE °F [°C]	75 [23.9]	Total BTUH [kW] Sens BTUH [kW] Power	60.4 [17.70] 36.5 [10.70] 2.9	58.3 [17.09] 33.4 [9.79] 2.9	56.2 [16.47] 30.3 [8.88] 2.8	56.4 [16.53] 44.0 [12.90] 2.9	54.4 [15.94] 40.2 [11.78] 2.9	52.4 [15.36] 36.5 [10.70] 2.8	53.2 [15.59] 50.0 [14.65] 2.9	51.3 [15.03] 45.8 [13.42] 2.9	49.5 [14.51] 41.6 [12.19] 2.8
	80 [26.7]	Total BTUH [kW] Sens BTUH [kW] Power	58.5 [17.14] 35.6 [10.43] 3.1	56.4 [16.53] 32.6 [9.55] 3.0	54.4 [15.94] 29.5 [8.65] 3.0	54.4 [15.94] 43.0 [12.60] 3.1	52.5 [15.39] 39.4 [11.55] 3.0	50.6 [14.83] 35.7 [10.46] 3.0	51.2 [15.01] 49.3 [14.45] 3.1	49.4 [14.48] 45.0 [13.19] 3.0	47.6 [13.95] 40.8 [11.96] 3.0
	85 [29.4]	Total BTUH [kW] Sens BTUH [kW] Power	56.8 [16.65] 34.8 [10.20] 3.2	54.8 [16.06] 31.9 [9.35] 3.2	52.8 [15.47] 28.9 [8.47] 3.1	52.7 [15.44] 42.2 [12.37] 3.2	50.9 [14.92] 38.6 [11.31] 3.2	49.0 [14.36] 35.0 [10.26] 3.1	49.5 [14.51] 48.5 [14.21] 3.2	47.8 [14.01] 44.3 [12.98] 3.2	46.0 [13.48] 40.1 [11.75] 3.1
	90 [32.2]	Total BTUH [kW] Sens BTUH [kW] Power	55.2 [16.18] 34.1 [9.99] 3.4	53.3 [15.62] 31.2 [9.14] 3.3	51.3 [15.03] 28.3 [8.29] 3.3	51.2 [15.01] 41.6 [12.19] 3.4	49.4 [14.48] 38.0 [11.14] 3.3	47.6 [13.95] 34.5 [10.11] 3.3	48.0 [14.07] 47.5 [13.92] 3.4	46.3 [13.57] 43.6 [12.78] 3.3	44.6 [13.07] 39.6 [11.61] 3.3
	95 [35]	Total BTUH [kW] Sens BTUH [kW] Power	53.7 [15.74] 33.5 [9.82] 3.6	51.8 [15.18] 30.7 [9.00] 3.5	50.0 [14.65] 27.8 [8.15] 3.4	49.7 [14.57] 40.9 [11.99] 3.6	47.9 [14.04] 37.4 [10.96] 3.5	46.2 [13.54] 34.0 [9.96] 3.4	46.5 [13.63] 46.5 [13.63] 3.6	44.9 [13.16] 43.1 [12.63] 3.5	43.2 [12.66] 39.0 [11.43] 3.4
	100 [37.8]	Total BTUH [kW] Sens BTUH [kW] Power	52.3 [15.33] 32.9 [9.64] 3.7	50.4 [14.77] 30.1 [8.82] 3.7	48.6 [14.24] 27.3 [8.00] 3.6	48.2 [14.13] 40.3 [11.81] 3.7	46.6 [13.66] 36.9 [10.81] 3.7	44.9 [13.16] 33.4 [9.79] 3.6	45.0 [13.19] 45.0 [13.19] 3.7	43.5 [12.75] 42.5 [12.46] 3.7	41.9 [12.28] 38.5 [11.28] 3.6
	105 [40.6]	Total BTUH [kW] Sens BTUH [kW] Power	50.8 [14.89] 32.2 [9.44] 3.9	49.0 [14.36] 29.5 [8.65] 3.8	47.2 [13.83] 26.7 [7.83] 3.8	46.8 [13.72] 39.6 [11.61] 3.9	45.1 [13.22] 36.2 [10.61] 3.8	43.5 [12.75] 32.9 [9.64] 3.7	43.6 [12.78] 43.6 [12.78] 3.9	42.0 [12.31] 41.9 [12.28] 3.8	40.5 [11.87] 38.0 [11.14] 3.7
	110 [43.3]	Total BTUH [kW] Sens BTUH [kW] Power	49.2 [14.42] 31.4 [9.20] 4.0	47.5 [13.92] 28.7 [8.41] 4.0	45.8 [13.42] 26.1 [7.65] 3.9	45.2 [13.25] 38.8 [11.37] 4.0	43.6 [12.78] 35.5 [10.40] 4.0	42.0 [12.31] 32.2 [9.44] 3.9	42.0 [12.31] 42.0 [12.31] 4.0	40.5 [11.87] 40.5 [11.87] 4.0	39.1 [11.46] 37.3 [10.93] 3.9
	115 [46.1]	Total BTUH [kW] Sens BTUH [kW] Power	47.5 [13.92] 30.5 [8.94] 4.2	45.8 [13.42] 27.9 [8.18] 4.1	44.2 [12.95] 25.3 [7.41] 4.1	43.5 [12.75] 37.9 [11.11] 4.2	41.9 [12.28] 34.7 [10.17] 4.1	40.4 [11.84] 31.4 [9.20] 4.1	40.3 [11.81] 40.3 [11.81] 4.2	38.9 [11.40] 38.9 [11.40] 4.1	37.4 [10.96] 36.5 [10.70] 4.1

GROSS SYSTEMS PERFORMANCE DATA—RSNM-A060

		ENTERING INDOOR AIR @ 80°F [26.7°C] dbE ①									
wbE		71°F [21.7°C]			67°F [19.4°C]			63°F [17.2°C]			
CFM [L/s]		2280 [1076]	1900 [897]	1520 [717]	2280 [1076]	1900 [897]	1520 [717]	2280 [1076]	1900 [897]	1520 [717]	
DR ①		.10	.07	.03	.10	.07	.03	.10	.07	.03	
OUTDOOR DRY BULB TEMPERATURE °F [°C]	75 [23.9]	Total BTUH [kW] Sens BTUH [kW] Power	77.1 [22.60] 48.5 [14.21] 3.7	74.4 [21.80] 44.4 [13.01] 3.7	71.7 [21.01] 40.2 [11.78] 3.6	73.9 [21.66] 57.1 [16.73] 3.7	71.3 [20.90] 52.2 [15.30] 3.6	68.7 [20.13] 47.4 [13.89] 3.5	71.2 [20.87] 64.9 [19.02] 3.7	68.7 [20.13] 59.4 [17.41] 3.6	66.2 [19.40] 53.8 [15.77] 3.5
	80 [26.7]	Total BTUH [kW] Sens BTUH [kW] Power	74.6 [21.86] 46.7 [13.69] 3.9	72.0 [21.10] 42.7 [12.51] 3.9	69.4 [20.34] 38.7 [11.34] 3.8	71.4 [20.93] 55.2 [16.18] 3.9	68.9 [20.19] 50.5 [14.80] 3.8	66.4 [19.46] 45.8 [13.42] 3.7	68.7 [20.13] 63.0 [18.46] 3.9	66.3 [19.43] 57.6 [16.88] 3.8	63.9 [18.73] 52.3 [15.33] 3.7
	85 [29.4]	Total BTUH [kW] Sens BTUH [kW] Power	72.4 [21.22] 45.4 [13.31] 4.2	69.8 [20.46] 41.5 [12.16] 4.1	67.3 [19.72] 37.6 [11.02] 4.0	69.2 [20.28] 54.0 [15.83] 4.1	66.7 [19.55] 49.3 [14.45] 4.0	64.3 [18.84] 44.7 [13.10] 4.0	66.5 [19.49] 61.7 [18.08] 4.1	64.2 [18.82] 56.5 [16.56] 4.0	61.8 [18.11] 51.2 [15.01] 4.0
	90 [32.2]	Total BTUH [kW] Sens BTUH [kW] Power	70.3 [20.60] 44.5 [13.04] 4.4	67.9 [19.90] 40.7 [11.93] 4.3	65.4 [19.17] 36.9 [10.81] 4.2	67.1 [19.67] 53.1 [15.56] 4.3	64.8 [18.99] 48.5 [14.21] 4.2	62.4 [18.29] 44.0 [12.90] 4.2	64.5 [18.90] 60.8 [17.82] 4.3	62.2 [18.23] 55.6 [16.29] 4.2	59.9 [17.55] 50.5 [14.80] 4.2
	95 [35]	Total BTUH [kW] Sens BTUH [kW] Power	68.4 [20.05] 43.8 [12.84] 4.6	66.0 [19.34] 40.1 [11.75] 4.5	63.6 [18.64] 36.3 [10.64] 4.4	65.2 [19.11] 52.4 [15.36] 4.5	62.9 [18.43] 47.9 [14.04] 4.5	60.6 [17.76] 43.4 [12.72] 4.4	62.5 [18.32] 60.2 [17.64] 4.5	60.3 [17.67] 55.0 [16.12] 4.5	58.1 [17.03] 49.9 [14.62] 4.4
	100 [37.8]	Total BTUH [kW] Sens BTUH [kW] Power	66.5 [19.49] 43.1 [12.63] 4.8	64.2 [18.82] 39.4 [11.55] 4.7	61.8 [18.11] 35.8 [10.49] 4.7	63.3 [18.55] 51.7 [15.15] 4.8	61.1 [17.91] 47.3 [13.86] 4.7	58.8 [17.23] 42.9 [12.57] 4.6	60.6 [17.76] 59.5 [17.44] 4.7	58.5 [17.14] 54.4 [15.94] 4.7	56.4 [16.53] 49.3 [14.45] 4.6
	105 [40.6]	Total BTUH [kW] Sens BTUH [kW] Power	64.5 [18.90] 42.3 [12.40] 5.0	62.3 [18.26] 38.7 [11.34] 5.0	60.0 [17.58] 35.1 [10.29] 4.9	61.3 [17.97] 50.9 [14.92] 5.0	59.2 [17.35] 46.6 [13.66] 4.9	57.0 [16.71] 42.2 [12.37] 4.8	58.6 [17.17] 58.6 [17.17] 5.0	56.6 [16.59] 53.7 [15.74] 4.9	54.5 [15.97] 48.7 [14.27] 4.8
	110 [43.3]	Total BTUH [kW] Sens BTUH [kW] Power	62.4 [18.29] 41.2 [12.07] 5.3	60.2 [17.64] 37.7 [11.05] 5.2	58.0 [17.00] 34.1 [9.99] 5.1	59.2 [17.35] 49.8 [14.59] 5.2	57.1 [16.73] 45.5 [13.33] 5.1	55.1 [16.15] 41.3 [12.10] 5.0	56.5 [16.56] 56.5 [16.56] 5.2	54.6 [16.00] 52.6 [15.42] 5.1	52.6 [15.42] 47.7 [13.98] 5.0
	115 [46.1]	Total BTUH [kW] Sens BTUH [kW] Power	60.1 [17.61] 39.5 [11.58] 5.5	58.0 [17.00] 36.1 [10.58] 5.4	55.9 [16.38] 32.8 [9.61] 5.3	56.9 [16.68] 48.1 [14.10] 5.4	54.9 [16.09] 44.0 [12.90] 5.3	52.9 [15.50] 39.9 [11.69] 5.2	54.2 [15.88] 54.2 [15.88] 5.4	52.3 [15.33] 51.1 [14.98] 5.3	50.4 [14.77] 46.3 [13.57] 5.2

DR —Depression ratio
dbE—Entering air dry bulb
wbE—Entering air wet bulb

Total —Total capacity x 1000 BTUH
Sens —Sensible capacity x 1000 BTUH
Power—KW input

NOTES: ① When the entering air dry bulb is other than 80°F [27°C], adjust the sensible capacity from the table by adding $[1.10 \times \text{CFM} \times (1 - \text{DR}) \times (\text{dbE} - 80)]$.

[] Designates Metric Conversions



SYSTEMS PERFORMANCE—RSPM- SERIES

GROSS SYSTEMS PERFORMANCE DATA—RSPM-A024

		ENTERING INDOOR AIR @ 80°F [26.7°C] dbE ①									
wbE		71°F [21.7°C]			67°F [19.4°C]			63°F [17.2°C]			
CFM [L/s]		960 [453]	800 [378]	640 [302]	960 [453]	800 [378]	640 [302]	960 [453]	800 [378]	640 [302]	
DR ①		.10	.06	.01	.10	.06	.01	.10	.06	.01	
OUTDOOR DRY BULB TEMPERATURE °F [°C]	75 [23.9]	Total BTUH [kW]	30.9 [9.06]	29.8 [8.73]	28.7 [8.41]	29.0 [8.50]	28.0 [8.21]	26.9 [7.88]	27.3 [8.00]	26.4 [7.74]	25.4 [7.44]
		Sens BTUH [kW]	19.4 [5.69]	17.8 [5.22]	16.1 [4.72]	22.9 [6.71]	20.9 [6.13]	19.0 [5.57]	26.3 [7.71]	24.0 [7.03]	21.8 [6.39]
		Power	1.4	1.3	1.3	1.4	1.3	1.3	1.4	1.3	1.3
	80 [26.7]	Total BTUH [kW]	30.2 [8.85]	29.2 [8.56]	28.1 [8.24]	28.3 [8.29]	27.3 [8.00]	26.3 [7.71]	26.7 [7.83]	25.7 [7.53]	24.8 [7.27]
		Sens BTUH [kW]	19.1 [5.60]	17.5 [5.13]	15.9 [4.66]	22.6 [6.62]	20.7 [6.07]	18.7 [5.48]	26.0 [7.62]	23.7 [6.95]	21.5 [6.30]
		Power	1.4	1.4	1.4	1.4	1.4	1.4	1.4	1.4	1.4
	85 [29.4]	Total BTUH [kW]	29.5 [8.65]	28.5 [8.35]	27.4 [8.03]	27.6 [8.09]	26.6 [7.80]	25.7 [7.53]	26.0 [7.62]	25.1 [7.36]	24.1 [7.06]
		Sens BTUH [kW]	18.8 [5.51]	17.2 [5.04]	15.6 [4.57]	22.3 [6.54]	20.4 [5.98]	18.5 [5.42]	25.6 [7.50]	23.5 [6.89]	21.3 [6.24]
		Power	1.5	1.5	1.5	1.5	1.5	1.5	1.5	1.5	1.5
	90 [32.2]	Total BTUH [kW]	28.8 [8.44]	27.7 [8.12]	26.7 [7.83]	26.8 [7.85]	25.9 [7.59]	25.0 [7.33]	25.2 [7.39]	24.3 [7.12]	23.4 [6.86]
Sens BTUH [kW]		18.5 [5.42]	16.9 [4.95]	15.3 [4.48]	21.9 [6.42]	20.1 [5.89]	18.2 [5.33]	25.2 [7.39]	23.1 [6.77]	21.0 [6.15]	
Power		1.6	1.6	1.6	1.6	1.6	1.6	1.6	1.6	1.6	
95 [35]	Total BTUH [kW]	27.9 [8.18]	27.0 [7.91]	26.0 [7.62]	26.0 [7.62]	25.1 [7.36]	24.2 [7.09]	24.4 [7.15]	23.5 [6.89]	22.7 [6.65]	
	Sens BTUH [kW]	18.1 [5.30]	16.6 [4.86]	15.0 [4.40]	21.6 [6.33]	19.7 [5.77]	17.9 [5.25]	24.4 [7.15]	22.9 [6.71]	20.7 [6.07]	
	Power	1.7	1.7	1.7	1.7	1.7	1.7	1.7	1.7	1.7	
100 [37.8]	Total BTUH [kW]	27.1 [7.94]	26.1 [7.65]	25.2 [7.39]	25.2 [7.39]	24.3 [7.12]	23.4 [6.86]	23.5 [6.89]	22.7 [6.65]	21.9 [6.42]	
	Sens BTUH [kW]	17.7 [5.19]	16.2 [4.75]	14.7 [4.31]	21.1 [6.18]	19.3 [5.66]	17.5 [5.13]	23.5 [6.89]	22.4 [6.56]	20.3 [5.95]	
	Power	1.8	1.8	1.7	1.8	1.8	1.7	1.8	1.8	1.7	
105 [40.6]	Total BTUH [kW]	26.1 [7.65]	25.2 [7.39]	24.3 [7.12]	24.2 [7.09]	23.4 [6.86]	22.5 [6.59]	22.6 [6.62]	21.8 [6.39]	21.0 [6.15]	
	Sens BTUH [kW]	17.2 [5.04]	15.7 [4.60]	14.3 [4.19]	20.7 [6.07]	18.9 [5.54]	17.2 [5.04]	22.6 [6.62]	21.8 [6.39]	19.9 [5.83]	
	Power	1.9	1.9	1.8	1.9	1.9	1.8	1.9	1.9	1.8	
110 [43.3]	Total BTUH [kW]	25.1 [7.36]	24.2 [7.09]	23.4 [6.86]	23.2 [6.80]	22.4 [6.56]	21.6 [6.33]	21.6 [6.33]	20.8 [6.10]	20.1 [5.89]	
	Sens BTUH [kW]	16.7 [4.89]	15.3 [4.48]	13.8 [4.04]	20.2 [5.92]	18.4 [5.39]	16.7 [4.89]	21.6 [6.33]	20.8 [6.10]	19.5 [5.71]	
	Power	2.0	1.9	1.9	2.0	1.9	1.9	2.0	1.9	1.9	
115 [46.1]	Total BTUH [kW]	24.0 [7.03]	23.2 [6.80]	22.3 [6.54]	22.1 [6.48]	21.4 [6.27]	20.6 [6.04]	20.5 [6.01]	19.8 [5.80]	19.1 [5.60]	
	Sens BTUH [kW]	16.1 [4.72]	14.7 [4.31]	13.3 [3.90]	19.6 [5.74]	17.9 [5.25]	16.2 [4.75]	20.5 [6.01]	19.8 [5.80]	19.0 [5.57]	
	Power	2.1	2.0	2.0	2.1	2.0	2.0	2.1	2.0	2.0	

GROSS SYSTEMS PERFORMANCE DATA—RSPM-A030

		ENTERING INDOOR AIR @ 80°F [26.7°C] dbE ①									
wbE		71°F [21.7°C]			67°F [19.4°C]			63°F [17.2°C]			
CFM [L/s]		1200 [566]	1000 [472]	800 [378]	1200 [566]	1000 [472]	800 [378]	1200 [566]	1000 [472]	800 [378]	
DR ①		.11	.07	.02	.11	.07	.02	.11	.07	.02	
OUTDOOR DRY BULB TEMPERATURE °F [°C]	75 [23.9]	Total BTUH [kW]	37.8 [11.08]	36.5 [10.70]	35.1 [10.29]	35.0 [10.26]	33.8 [9.91]	32.6 [9.55]	33.1 [9.70]	31.9 [9.35]	30.7 [9.00]
		Sens BTUH [kW]	23.5 [6.89]	21.5 [6.30]	19.5 [5.71]	27.8 [8.15]	25.4 [7.44]	23.1 [6.77]	31.0 [9.09]	28.4 [8.32]	25.8 [7.56]
		Power	1.7	1.6	1.6	1.7	1.6	1.6	1.7	1.6	1.6
	80 [26.7]	Total BTUH [kW]	37.2 [10.90]	35.9 [10.52]	34.6 [10.14]	34.4 [10.08]	33.2 [9.73]	32.0 [9.38]	32.5 [9.52]	31.4 [9.20]	30.2 [8.85]
		Sens BTUH [kW]	23.3 [6.83]	21.3 [6.24]	19.3 [5.66]	27.7 [8.12]	25.3 [7.41]	22.9 [6.71]	31.0 [9.09]	28.3 [8.29]	25.6 [7.50]
		Power	1.8	1.7	1.7	1.8	1.7	1.7	1.8	1.7	1.7
	85 [29.4]	Total BTUH [kW]	36.4 [10.67]	35.1 [10.29]	33.8 [9.91]	33.6 [9.85]	32.4 [9.50]	31.2 [9.14]	31.7 [9.29]	30.6 [8.97]	29.4 [8.62]
		Sens BTUH [kW]	23.0 [6.74]	21.0 [6.15]	19.1 [5.60]	27.3 [8.00]	25.0 [7.33]	22.7 [6.65]	30.7 [9.00]	28.0 [8.21]	25.4 [7.44]
		Power	1.9	1.8	1.8	1.9	1.8	1.8	1.9	1.8	1.8
	90 [32.2]	Total BTUH [kW]	35.3 [10.35]	34.1 [9.99]	32.9 [9.64]	32.6 [9.55]	31.4 [9.20]	30.3 [8.88]	30.6 [8.97]	29.6 [8.67]	28.5 [8.35]
Sens BTUH [kW]		22.5 [6.59]	20.6 [6.04]	18.7 [5.48]	26.9 [7.88]	24.6 [7.21]	22.3 [6.54]	30.1 [8.82]	27.6 [8.09]	25.0 [7.33]	
Power		2.0	2.0	1.9	2.0	2.0	1.9	2.0	2.0	1.9	
95 [35]	Total BTUH [kW]	34.2 [10.02]	33.0 [9.67]	31.8 [9.32]	31.4 [9.20]	30.3 [8.88]	29.2 [8.56]	29.5 [8.65]	28.4 [8.32]	27.4 [8.03]	
	Sens BTUH [kW]	22.0 [6.45]	20.1 [5.89]	18.2 [5.33]	26.4 [7.74]	24.1 [7.06]	21.9 [6.42]	29.5 [8.65]	27.1 [7.94]	24.5 [7.18]	
	Power	2.1	2.1	2.0	2.1	2.1	2.0	2.1	2.1	2.0	
100 [37.8]	Total BTUH [kW]	33.0 [9.67]	31.8 [9.32]	30.7 [9.00]	30.2 [8.85]	29.1 [8.53]	28.1 [8.24]	28.3 [8.29]	27.3 [8.00]	26.3 [7.71]	
	Sens BTUH [kW]	21.4 [6.27]	19.6 [5.74]	17.8 [5.22]	25.8 [7.56]	23.6 [6.92]	21.4 [6.27]	28.3 [8.29]	26.5 [7.77]	24.1 [7.06]	
	Power	2.2	2.2	2.1	2.2	2.2	2.1	2.2	2.2	2.1	
105 [40.6]	Total BTUH [kW]	31.8 [9.32]	30.7 [9.00]	29.6 [8.67]	29.0 [8.50]	28.0 [8.21]	27.0 [7.91]	27.1 [7.94]	26.1 [7.65]	25.2 [7.39]	
	Sens BTUH [kW]	20.8 [6.10]	19.1 [5.60]	17.3 [5.07]	25.2 [7.39]	23.0 [6.74]	20.9 [6.13]	27.1 [7.94]	26.0 [7.62]	23.6 [6.92]	
	Power	2.3	2.3	2.2	2.3	2.3	2.2	2.3	2.3	2.2	
110 [43.3]	Total BTUH [kW]	30.7 [9.00]	29.7 [8.70]	28.6 [8.38]	28.0 [8.21]	27.0 [7.91]	26.0 [7.62]	26.0 [7.62]	25.1 [7.36]	24.2 [7.09]	
	Sens BTUH [kW]	20.3 [5.95]	18.6 [5.45]	16.8 [4.92]	24.6 [7.21]	22.5 [6.59]	20.4 [5.98]	26.0 [7.62]	25.1 [7.36]	23.1 [6.77]	
	Power	2.4	2.4	2.3	2.4	2.4	2.3	2.4	2.4	2.3	
115 [46.1]	Total BTUH [kW]	29.8 [8.73]	28.8 [8.44]	27.8 [8.15]	27.1 [7.94]	26.1 [7.65]	25.2 [7.39]	25.1 [7.36]	24.3 [7.12]	23.4 [6.86]	
	Sens BTUH [kW]	19.8 [5.80]	18.1 [5.30]	16.4 [4.81]	24.2 [7.09]	22.1 [6.48]	20.0 [5.86]	25.1 [7.36]	24.3 [7.12]	22.7 [6.65]	
	Power	2.5	2.5	2.4	2.5	2.5	2.4	2.5	2.5	2.4	

DR —Depression ratio
dbE—Entering air dry bulb
wbE—Entering air wet bulb

Total —Total capacity x 1000 BTUH
Sens —Sensible capacity x 1000 BTUH
Power—KW input

NOTES: ① When the entering air dry bulb is other than 80°F [27°C], adjust the sensible capacity from the table by adding [1.10 x CFM x (1 - DR) x (dbE - 80)].

[] Designates Metric Conversions

SYSTEMS PERFORMANCE—RSPM- SERIES



GROSS SYSTEMS PERFORMANCE DATA—RSPM-A036

		ENTERING INDOOR AIR @ 80°F [26.7°C] dbE ①											
		wbE			71°F [21.7°C]			67°F [19.4°C]			63°F [17.2°C]		
		CFM [L/s]	1440 [680]	1200 [566]	960 [453]	1440 [680]	1200 [566]	960 [453]	1440 [680]	1200 [566]	960 [453]		
		DR ①	.12	.09	.04	.12	.09	.04	.12	.09	.04		
OUTDOOR DRY BULB TEMPERATURE °F [°C]	75 [23.9]	Total BTUH [kW]	34.5 [10.11]	33.3 [9.76]	32.0 [9.38]	31.6 [9.26]	30.5 [8.94]	29.4 [8.62]	29.1 [8.53]	28.1 [8.24]	27.1 [7.94]		
		Sens BTUH [kW]	21.1 [6.18]	19.3 [5.66]	17.5 [5.13]	26.6 [7.80]	24.3 [7.12]	22.1 [6.48]	29.1 [8.53]	28.1 [8.24]	26.1 [7.65]		
		Power	2.1	2.0	2.0	2.1	2.0	2.0	2.0	2.0	2.0		
	80 [26.7]	Total BTUH [kW]	43.1 [12.63]	41.6 [12.19]	40.1 [11.75]	40.3 [11.81]	38.9 [11.40]	37.5 [10.99]	37.8 [11.08]	36.4 [10.67]	35.1 [10.29]		
		Sens BTUH [kW]	26.6 [7.80]	24.3 [7.12]	22.0 [6.45]	32.1 [9.41]	29.3 [8.59]	26.6 [7.80]	37.8 [11.08]	36.4 [10.67]	30.6 [8.97]		
		Power	2.2	2.2	2.1	2.2	2.2	2.1	2.2	2.1	2.1		
	85 [29.4]	Total BTUH [kW]	46.1 [13.51]	44.5 [13.04]	42.9 [12.57]	43.3 [12.69]	41.8 [12.25]	40.3 [11.81]	40.8 [11.96]	39.4 [11.55]	37.9 [11.11]		
		Sens BTUH [kW]	28.6 [8.38]	26.2 [7.68]	23.7 [6.95]	34.1 [9.99]	31.2 [9.14]	28.3 [8.29]	40.8 [11.96]	39.4 [11.55]	32.3 [9.47]		
		Power	2.3	2.3	2.3	2.3	2.3	2.3	2.3	2.3	2.2		
	90 [32.2]	Total BTUH [kW]	45.1 [13.22]	43.6 [12.78]	42.0 [12.31]	42.3 [12.40]	40.8 [11.96]	39.4 [11.55]	39.8 [11.66]	38.4 [11.25]	37.0 [10.84]		
Sens BTUH [kW]		28.2 [8.26]	25.8 [7.56]	23.4 [6.86]	33.7 [9.88]	30.8 [9.03]	27.9 [8.18]	39.8 [11.66]	38.4 [11.25]	31.9 [9.35]			
Power		2.5	2.4	2.4	2.5	2.4	2.4	2.5	2.4	2.4			
95 [35]	Total BTUH [kW]	41.7 [12.22]	40.3 [11.81]	38.8 [11.37]	38.9 [11.40]	37.6 [11.02]	36.2 [10.61]	36.4 [10.67]	35.1 [10.29]	33.8 [9.91]			
	Sens BTUH [kW]	26.3 [7.71]	24.0 [7.03]	21.8 [6.39]	31.8 [9.32]	29.1 [8.53]	26.4 [7.74]	36.4 [10.67]	35.1 [10.29]	30.4 [8.91]			
	Power	2.6	2.6	2.5	2.6	2.6	2.5	2.6	2.5	2.5			
100 [37.8]	Total BTUH [kW]	37.6 [11.02]	36.3 [10.64]	34.9 [10.23]	34.8 [10.20]	33.5 [9.82]	32.3 [9.47]	32.2 [9.44]	31.1 [9.11]	30.0 [8.79]			
	Sens BTUH [kW]	23.9 [7.00]	21.9 [6.42]	19.8 [5.80]	29.4 [8.62]	26.9 [7.88]	24.4 [7.15]	32.2 [9.44]	31.1 [9.11]	28.4 [8.32]			
	Power	2.8	2.7	2.7	2.7	2.7	2.7	2.7	2.7	2.6			
105 [40.6]	Total BTUH [kW]	34.3 [10.05]	33.1 [9.70]	31.9 [9.35]	31.5 [9.23]	30.4 [8.91]	29.3 [8.59]	28.9 [8.47]	27.9 [8.18]	26.9 [7.88]			
	Sens BTUH [kW]	22.1 [6.48]	20.2 [5.92]	18.3 [5.36]	27.6 [8.09]	25.2 [7.39]	22.9 [6.71]	28.9 [8.47]	27.9 [8.18]	26.9 [7.88]			
	Power	2.9	2.8	2.8	2.9	2.8	2.8	2.9	2.8	2.8			
110 [43.3]	Total BTUH [kW]	33.5 [9.82]	32.3 [9.47]	31.1 [9.11]	30.7 [9.00]	29.6 [8.67]	28.5 [8.35]	28.1 [8.24]	27.1 [7.94]	26.1 [7.65]			
	Sens BTUH [kW]	21.8 [6.39]	19.9 [5.83]	18.0 [5.28]	27.3 [8.00]	24.9 [7.30]	22.6 [6.62]	28.1 [8.24]	27.1 [7.94]	26.1 [7.65]			
	Power	3.0	3.0	2.9	3.0	3.0	2.9	3.0	3.0	2.9			
115 [46.1]	Total BTUH [kW]	36.8 [10.79]	35.5 [10.40]	34.2 [10.02]	34.0 [9.96]	32.8 [9.61]	31.6 [9.26]	31.4 [9.20]	30.3 [8.88]	29.2 [8.56]			
	Sens BTUH [kW]	23.9 [7.00]	21.9 [6.42]	19.9 [5.83]	29.4 [8.62]	26.9 [7.88]	24.4 [7.15]	31.4 [9.20]	30.3 [8.88]	29.2 [8.56]			
	Power	3.2	3.1	3.1	3.2	3.1	3.1	3.1	3.1	3.0			

GROSS SYSTEMS PERFORMANCE DATA—RSPM-A042

		ENTERING INDOOR AIR @ 80°F [26.7°C] dbE ①											
		wbE			71°F [21.7°C]			67°F [19.4°C]			63°F [17.2°C]		
		CFM [L/s]	1680 [793]	1400 [661]	1120 [529]	1680 [793]	1400 [661]	1120 [529]	1680 [793]	1400 [661]	1120 [529]		
		DR ①	.11	.07	.03	.11	.07	.03	.11	.07	.03		
OUTDOOR DRY BULB TEMPERATURE °F [°C]	75 [23.9]	Total BTUH [kW]	54.2 [15.88]	52.3 [15.33]	50.4 [14.77]	51.1 [14.98]	49.3 [14.45]	47.5 [13.92]	48.6 [14.24]	46.9 [13.75]	45.2 [13.25]		
		Sens BTUH [kW]	34.3 [10.05]	31.3 [9.17]	28.4 [8.32]	40.5 [11.87]	37.1 [10.87]	33.6 [9.85]	46.7 [13.69]	42.7 [12.51]	38.7 [11.34]		
		Power	2.4	2.3	2.3	2.4	2.3	2.3	2.3	2.3	2.3		
	80 [26.7]	Total BTUH [kW]	52.6 [15.42]	50.7 [14.86]	48.9 [14.33]	49.5 [14.51]	47.8 [14.01]	46.1 [13.51]	47.0 [13.77]	45.3 [13.28]	43.7 [12.81]		
		Sens BTUH [kW]	33.3 [9.76]	30.4 [8.91]	27.6 [8.09]	39.5 [11.58]	36.2 [10.61]	32.8 [9.61]	45.8 [13.42]	41.8 [12.25]	37.9 [11.11]		
		Power	2.6	2.5	2.5	2.5	2.5	2.5	2.5	2.5	2.4		
	85 [29.4]	Total BTUH [kW]	51.1 [14.98]	49.3 [14.45]	47.5 [13.92]	48.0 [14.07]	46.4 [13.60]	44.7 [13.10]	45.5 [13.33]	43.9 [12.87]	42.3 [12.40]		
		Sens BTUH [kW]	32.4 [9.50]	29.7 [8.70]	26.9 [7.88]	38.7 [11.34]	35.4 [10.37]	32.1 [9.41]	44.9 [13.16]	41.0 [12.02]	37.2 [10.90]		
		Power	2.7	2.7	2.7	2.7	2.7	2.6	2.7	2.7	2.6		
	90 [32.2]	Total BTUH [kW]	49.7 [14.57]	47.9 [14.04]	46.2 [13.54]	46.6 [13.66]	45.0 [13.19]	43.3 [12.69]	44.1 [12.92]	42.5 [12.46]	41.0 [12.02]		
Sens BTUH [kW]		31.7 [9.29]	29.0 [8.50]	26.3 [7.71]	38.0 [11.14]	34.7 [10.17]	31.5 [9.23]	44.1 [12.92]	40.4 [11.84]	36.6 [10.73]			
Power		2.9	2.9	2.8	2.9	2.9	2.8	2.9	2.8	2.8			
95 [35]	Total BTUH [kW]	48.3 [14.16]	46.6 [13.66]	44.9 [13.16]	45.2 [13.25]	43.6 [12.78]	42.1 [12.34]	42.7 [12.51]	41.2 [12.07]	39.7 [11.63]			
	Sens BTUH [kW]	31.1 [9.11]	28.4 [8.32]	25.8 [7.56]	37.3 [10.93]	34.1 [9.99]	31.0 [9.09]	42.7 [12.51]	39.9 [11.69]	36.1 [10.58]			
	Power	3.1	3.1	3.0	3.1	3.0	3.0	3.1	3.0	3.0			
100 [37.8]	Total BTUH [kW]	46.9 [13.75]	45.2 [13.25]	43.6 [12.78]	43.8 [12.84]	42.3 [12.40]	40.8 [11.96]	41.3 [12.10]	39.8 [11.66]	38.4 [11.25]			
	Sens BTUH [kW]	30.4 [8.91]	27.8 [8.15]	25.2 [7.39]	36.7 [10.76]	33.6 [9.85]	30.4 [8.91]	41.3 [12.10]	39.2 [11.49]	35.6 [10.43]			
	Power	3.3	3.2	3.2	3.3	3.2	3.2	3.3	3.2	3.1			
105 [40.6]	Total BTUH [kW]	45.4 [13.31]	43.8 [12.84]	42.2 [12.37]	42.4 [12.43]	40.9 [11.99]	39.4 [11.55]	39.8 [11.66]	38.4 [11.25]	37.0 [10.84]			
	Sens BTUH [kW]	29.8 [8.73]	27.3 [8.00]	24.7 [7.24]	36.1 [10.58]	33.0 [9.67]	29.9 [8.76]	39.8 [11.66]	38.4 [11.25]	35.1 [10.29]			
	Power	3.5	3.4	3.4	3.5	3.4	3.4	3.4	3.4	3.3			
110 [43.3]	Total BTUH [kW]	43.9 [12.87]	42.4 [12.43]	40.8 [11.96]	40.9 [11.99]	39.4 [11.55]	38.0 [11.14]	38.3 [11.22]	37.0 [10.84]	35.6 [10.43]			
	Sens BTUH [kW]	29.2 [8.56]	26.7 [7.83]	24.2 [7.09]	35.4 [10.37]	32.4 [9.50]	29.4 [8.62]	38.3 [11.22]	37.0 [10.84]	34.5 [10.11]			
	Power	3.7	3.6	3.5	3.7	3.6	3.5	3.6	3.6	3.5			
115 [46.1]	Total BTUH [kW]	42.3 [12.40]	40.8 [11.96]	39.3 [11.52]	39.3 [11.52]	37.9 [11.11]	36.5 [10.70]	36.7 [10.76]	35.4 [10.37]	34.1 [9.99]			
	Sens BTUH [kW]	28.5 [8.35]	26.0 [7.62]	23.6 [6.92]	34.7 [10.17]	31.8 [9.32]	28.8 [8.44]	36.7 [10.76]	35.4 [10.37]	33.9 [9.94]			
	Power	3.8	3.8	3.7	3.8	3.7	3.7	3.8	3.7	3.7			

DR —Depression ratio
dbE—Entering air dry bulb
wbE—Entering air wet bulb

Total —Total capacity x 1000 BTUH
Sens —Sensible capacity x 1000 BTUH
Power—KW input

NOTES: ① When the entering air dry bulb is other than 80°F [27°C], adjust the sensible capacity from the table by adding $[1.10 \times \text{CFM} \times (1 - \text{DR}) \times (\text{dbE} - 80)]$.

[] Designates Metric Conversions



SYSTEMS PERFORMANCE—RSPM- SERIES

GROSS SYSTEMS PERFORMANCE DATA—RSPM-A043CK

		ENTERING INDOOR AIR @ 80°F [26.7°C] dbE ①									
		71°F [21.7°C]			67°F [19.4°C]			63°F [17.2°C]			
wbE		1680 [793]	1400 [661]	1120 [529]	1680 [793]	1400 [661]	1120 [529]	1680 [793]	1400 [661]	1120 [529]	
CFM [L/s]											
DR ①		.05	.09	.12	.05	.09	.12	.05	.09	.12	
OUTDOOR DRY BULB TEMPERATURE °F [°C]	75 [23.9]	Total BTUH [kW]	51.7 [15.2]	49.9 [14.6]	48.1 [14.1]	49.5 [14.5]	47.7 [14.0]	46.0 [13.5]	46.4 [13.6]	44.8 [13.1]	43.2 [12.7]
		Sens BTUH [kW]	31.5 [9.2]	27.0 [7.9]	22.8 [6.7]	39.5 [11.6]	34.3 [10.1]	29.6 [8.7]	43.4 [12.7]	38.1 [11.2]	33.1 [9.7]
		Power	2.6	2.6	2.5	2.6	2.6	2.5	2.6	2.5	2.5
	80 [26.7]	Total BTUH [kW]	50.6 [14.8]	48.8 [14.3]	47.0 [13.8]	48.4 [14.2]	46.7 [13.7]	45.0 [13.2]	45.4 [13.3]	43.8 [12.8]	42.2 [12.4]
		Sens BTUH [kW]	31.3 [9.2]	26.8 [7.9]	22.7 [6.7]	39.3 [11.5]	34.2 [10.0]	29.5 [8.7]	43.3 [12.7]	38.0 [11.1]	33.0 [9.7]
		Power	2.8	2.7	2.7	2.8	2.7	2.7	2.7	2.7	2.7
	85 [29.4]	Total BTUH [kW]	49.4 [14.5]	47.7 [14.0]	45.9 [13.5]	47.2 [13.8]	45.5 [13.3]	43.9 [12.9]	44.2 [13.0]	42.6 [12.5]	41.1 [12.0]
		Sens BTUH [kW]	30.9 [9.1]	26.6 [7.8]	22.5 [6.6]	38.9 [11.4]	33.9 [9.9]	29.3 [8.6]	43.0 [12.6]	37.7 [11.1]	32.8 [9.6]
		Power	3.0	2.9	2.9	2.9	2.9	2.8	2.9	2.9	2.8
	90 [32.2]	Total BTUH [kW]	48.1 [14.1]	46.4 [13.6]	44.7 [13.1]	45.9 [13.5]	44.2 [13.0]	42.6 [12.5]	42.8 [12.5]	41.3 [12.1]	39.8 [11.7]
Sens BTUH [kW]		30.4 [8.9]	26.1 [7.7]	22.1 [6.5]	38.4 [11.3]	33.4 [9.8]	28.8 [8.5]	42.3 [12.4]	37.2 [10.9]	32.4 [9.5]	
Power		3.1	3.1	3.0	3.1	3.1	3.0	3.1	3.0	3.0	
95 [35]	Total BTUH [kW]	46.6 [13.7]	45.0 [13.2]	43.3 [12.7]	44.4 [13.0]	42.8 [12.5]	41.3 [12.1]	41.4 [12.1]	39.9 [11.7]	38.5 [11.3]	
	Sens BTUH [kW]	29.6 [8.7]	25.5 [7.5]	21.6 [6.3]	37.6 [11.0]	32.8 [9.6]	28.4 [8.3]	41.4 [12.1]	36.6 [10.7]	31.9 [9.4]	
	Power	3.3	3.3	3.2	3.3	3.3	3.2	3.3	3.2	3.2	
100 [37.8]	Total BTUH [kW]	45.0 [13.2]	43.5 [12.7]	41.9 [12.3]	42.8 [12.5]	41.3 [12.1]	39.8 [11.7]	39.8 [11.7]	38.4 [11.3]	37.0 [10.8]	
	Sens BTUH [kW]	28.8 [8.5]	24.8 [7.3]	21.0 [6.2]	36.7 [10.8]	32.1 [9.4]	27.7 [8.1]	39.8 [11.7]	35.9 [10.5]	31.3 [9.2]	
	Power	3.5	3.5	3.4	3.5	3.4	3.4	3.5	3.4	3.4	
105 [40.6]	Total BTUH [kW]	43.4 [12.7]	41.8 [12.3]	40.3 [11.8]	41.1 [12.0]	39.7 [11.6]	38.3 [11.2]	38.1 [11.2]	36.8 [10.8]	35.4 [10.4]	
	Sens BTUH [kW]	27.9 [8.2]	23.9 [7.0]	20.3 [6.0]	35.6 [10.4]	31.2 [9.2]	27.0 [7.9]	38.1 [11.2]	35.0 [10.3]	30.5 [8.9]	
	Power	3.7	3.7	3.6	3.7	3.7	3.6	3.7	3.6	3.6	
110 [43.3]	Total BTUH [kW]	41.5 [12.2]	40.1 [11.8]	38.6 [11.3]	39.3 [11.5]	38.0 [11.1]	36.6 [10.7]	36.3 [10.6]	35.0 [10.3]	33.8 [9.9]	
	Sens BTUH [kW]	26.6 [7.8]	22.9 [6.7]	19.4 [5.7]	34.4 [10.1]	30.2 [8.9]	26.1 [7.7]	36.3 [10.6]	33.9 [9.9]	29.6 [8.7]	
	Power	4.0	3.9	3.8	3.9	3.9	3.8	3.9	3.9	3.8	
115 [46.1]	Total BTUH [kW]	39.6 [11.6]	38.2 [11.2]	36.8 [10.8]	37.4 [11.0]	36.1 [10.6]	34.8 [10.2]	34.4 [10.1]	33.2 [9.7]	32.0 [9.4]	
	Sens BTUH [kW]	25.1 [7.4]	21.6 [6.3]	18.3 [5.4]	33.1 [9.7]	29.0 [8.5]	25.1 [7.4]	34.4 [10.1]	32.8 [9.6]	28.7 [8.4]	
	Power	4.2	4.1	4.0	4.2	4.1	4.0	4.2	4.1	4.0	

GROSS SYSTEMS PERFORMANCE DATA—RSPM-A043JK

		ENTERING INDOOR AIR @ 80°F [26.7°C] dbE ①									
		71°F [21.7°C]			67°F [19.4°C]			63°F [17.2°C]			
wbE		1680 [793]	1400 [661]	1120 [529]	1680 [793]	1400 [661]	1120 [529]	1680 [793]	1400 [661]	1120 [529]	
CFM [L/s]											
DR ①		.05	.09	.12	.05	.09	.12	.05	.09	.12	
OUTDOOR DRY BULB TEMPERATURE °F [°C]	75 [23.9]	Total BTUH [kW]	51.7 [15.2]	49.9 [14.6]	48.1 [14.1]	49.5 [14.5]	47.7 [14.0]	46.0 [13.5]	46.4 [13.6]	44.8 [13.1]	43.2 [12.7]
		Sens BTUH [kW]	31.5 [9.2]	27.0 [7.9]	22.8 [6.7]	39.5 [11.6]	34.3 [10.1]	29.6 [8.7]	43.4 [12.7]	38.1 [11.2]	33.1 [9.7]
		Power	2.6	2.6	2.5	2.6	2.6	2.5	2.6	2.5	2.5
	80 [26.7]	Total BTUH [kW]	50.6 [14.8]	48.8 [14.3]	47.0 [13.8]	48.4 [14.2]	46.7 [13.7]	45.0 [13.2]	45.4 [13.3]	43.8 [12.8]	42.2 [12.4]
		Sens BTUH [kW]	31.3 [9.2]	26.8 [7.9]	22.7 [6.7]	39.3 [11.5]	34.2 [10.0]	29.5 [8.7]	43.3 [12.7]	38.0 [11.1]	33.0 [9.7]
		Power	2.8	2.7	2.7	2.8	2.7	2.7	2.7	2.7	2.7
	85 [29.4]	Total BTUH [kW]	49.4 [14.5]	47.7 [14.0]	45.9 [13.5]	47.2 [13.8]	45.5 [13.3]	43.9 [12.9]	44.2 [13.0]	42.6 [12.5]	41.1 [12.0]
		Sens BTUH [kW]	30.9 [9.1]	26.6 [7.8]	22.5 [6.6]	38.9 [11.4]	33.9 [9.9]	29.3 [8.6]	43.0 [12.6]	37.7 [11.1]	32.8 [9.6]
		Power	3.0	2.9	2.9	2.9	2.9	2.8	2.9	2.9	2.8
	90 [32.2]	Total BTUH [kW]	48.1 [14.1]	46.4 [13.6]	44.7 [13.1]	45.9 [13.5]	44.2 [13.0]	42.6 [12.5]	42.8 [12.5]	41.3 [12.1]	39.8 [11.7]
Sens BTUH [kW]		30.4 [8.9]	26.1 [7.7]	22.1 [6.5]	38.4 [11.3]	33.4 [9.8]	28.8 [8.5]	42.3 [12.4]	37.2 [10.9]	32.4 [9.5]	
Power		3.1	3.1	3.0	3.1	3.1	3.0	3.1	3.0	3.0	
95 [35]	Total BTUH [kW]	46.6 [13.7]	45.0 [13.2]	43.3 [12.7]	44.4 [13.0]	42.8 [12.5]	41.3 [12.1]	41.4 [12.1]	39.9 [11.7]	38.5 [11.3]	
	Sens BTUH [kW]	29.6 [8.7]	25.5 [7.5]	21.6 [6.3]	37.6 [11.0]	32.8 [9.6]	28.4 [8.3]	41.4 [12.1]	36.6 [10.7]	31.9 [9.4]	
	Power	3.3	3.3	3.2	3.3	3.3	3.2	3.3	3.2	3.2	
100 [37.8]	Total BTUH [kW]	45.0 [13.2]	43.5 [12.7]	41.9 [12.3]	42.8 [12.5]	41.3 [12.1]	39.8 [11.7]	39.8 [11.7]	38.4 [11.3]	37.0 [10.8]	
	Sens BTUH [kW]	28.8 [8.5]	24.8 [7.3]	21.0 [6.2]	36.7 [10.8]	32.1 [9.4]	27.7 [8.1]	39.8 [11.7]	35.9 [10.5]	31.3 [9.2]	
	Power	3.5	3.5	3.4	3.5	3.4	3.4	3.5	3.4	3.4	
105 [40.6]	Total BTUH [kW]	43.4 [12.7]	41.8 [12.3]	40.3 [11.8]	41.1 [12.0]	39.7 [11.6]	38.3 [11.2]	38.1 [11.2]	36.8 [10.8]	35.4 [10.4]	
	Sens BTUH [kW]	27.9 [8.2]	23.9 [7.0]	20.3 [6.0]	35.6 [10.4]	31.2 [9.2]	27.0 [7.9]	38.1 [11.2]	35.0 [10.3]	30.5 [8.9]	
	Power	3.7	3.7	3.6	3.7	3.7	3.6	3.7	3.6	3.6	
110 [43.3]	Total BTUH [kW]	41.5 [12.2]	40.1 [11.8]	38.6 [11.3]	39.3 [11.5]	38.0 [11.1]	36.6 [10.7]	36.3 [10.6]	35.0 [10.3]	33.8 [9.9]	
	Sens BTUH [kW]	26.6 [7.8]	22.9 [6.7]	19.4 [5.7]	34.4 [10.1]	30.2 [8.9]	26.1 [7.7]	36.3 [10.6]	33.9 [9.9]	29.6 [8.7]	
	Power	4.0	3.9	3.8	3.9	3.9	3.8	3.9	3.9	3.8	
115 [46.1]	Total BTUH [kW]	39.6 [11.6]	38.2 [11.2]	36.8 [10.8]	37.4 [11.0]	36.1 [10.6]	34.8 [10.2]	34.4 [10.1]	33.2 [9.7]	32.0 [9.4]	
	Sens BTUH [kW]	25.1 [7.4]	21.6 [6.3]	18.3 [5.4]	33.1 [9.7]	29.0 [8.5]	25.1 [7.4]	34.4 [10.1]	32.8 [9.6]	28.7 [8.4]	
	Power	4.2	4.1	4.0	4.2	4.1	4.0	4.2	4.1	4.0	

DR —Depression ratio
dbE—Entering air dry bulb
wbE—Entering air wet bulb

Total —Total capacity x 1000 BTUH
Sens —Sensible capacity x 1000 BTUH
Power—KW input

NOTES: ① When the entering air dry bulb is other than 80°F [27°C], adjust the sensible capacity from the table by adding $[1.10 \times \text{CFM} \times (1 - \text{DR}) \times (\text{dbE} - 80)]$.

[] Designates Metric Conversions



GROSS SYSTEMS PERFORMANCE DATA—RSPM-A048

		ENTERING INDOOR AIR @ 80°F [26.7°C] dbE ①									
wbE		71°F [21.7°C]			67°F [19.4°C]			63°F [17.2°C]			
CFM [L/s]		1920 [906]	1600 [755]	1280 [604]	1920 [906]	1600 [755]	1280 [604]	1920 [906]	1600 [755]	1280 [604]	
DR ①		.12	.09	.04	.12	.09	.04	.12	.09	.04	
OUTDOOR DRY BULB TEMPERATURE °F [°C]	75 [23.9]	Total BTUH [kW] Sens BTUH [kW] Power	61.1 [17.91] 37.7 [11.05] 2.5	59.0 [17.29] 34.5 [10.11] 2.4	56.8 [16.65] 31.2 [9.14] 2.4	57.3 [16.79] 44.7 [13.10] 2.4	55.3 [16.21] 40.9 [11.99] 2.4	53.3 [15.62] 37.1 [10.87] 2.4	54.4 [15.94] 50.4 [14.77] 2.5	52.5 [15.39] 46.1 [13.51] 2.4	50.6 [14.83] 41.8 [12.25] 2.4
	80 [26.7]	Total BTUH [kW] Sens BTUH [kW] Power	59.3 [17.38] 37.0 [10.84] 2.6	57.2 [16.76] 33.9 [9.94] 2.6	55.1 [16.15] 30.7 [9.00] 2.6	55.5 [16.27] 44.1 [12.92] 2.6	53.5 [15.68] 40.3 [11.81] 2.6	51.6 [15.12] 36.5 [10.70] 2.5	52.6 [15.42] 49.7 [14.57] 2.6	50.7 [14.86] 45.5 [13.33] 2.6	48.9 [14.33] 41.2 [12.07] 2.5
	85 [29.4]	Total BTUH [kW] Sens BTUH [kW] Power	57.6 [16.88] 36.3 [10.64] 2.8	55.6 [16.29] 33.2 [9.73] 2.8	53.5 [15.68] 30.1 [8.82] 2.7	53.8 [15.77] 43.4 [12.72] 2.7	51.9 [15.21] 39.7 [11.63] 2.7	50.0 [14.65] 36.0 [10.55] 2.7	50.9 [14.92] 49.1 [14.39] 2.8	49.1 [14.39] 44.8 [13.13] 2.7	47.3 [13.86] 40.6 [11.90] 2.7
	90 [32.2]	Total BTUH [kW] Sens BTUH [kW] Power	56.0 [16.41] 35.6 [10.43] 3.0	54.0 [15.83] 32.6 [9.55] 2.9	52.1 [15.27] 29.5 [8.65] 2.9	52.2 [15.30] 42.7 [12.51] 2.9	50.4 [14.77] 39.0 [11.43] 2.9	48.5 [14.21] 35.4 [10.37] 2.8	49.3 [14.45] 48.4 [14.18] 2.9	47.6 [13.95] 44.2 [12.95] 2.9	45.9 [13.45] 40.1 [11.75] 2.8
	95 [35]	Total BTUH [kW] Sens BTUH [kW] Power	54.5 [15.97] 34.9 [10.23] 3.1	52.6 [15.42] 31.9 [9.35] 3.1	50.7 [14.86] 28.9 [8.47] 3.0	50.7 [14.86] 41.9 [12.28] 3.1	48.9 [14.33] 38.3 [11.22] 3.0	47.2 [13.83] 34.8 [10.20] 3.0	47.8 [14.01] 47.4 [13.89] 3.1	46.2 [13.54] 43.5 [12.75] 3.1	44.5 [13.04] 39.4 [11.55] 3.0
	100 [37.8]	Total BTUH [kW] Sens BTUH [kW] Power	53.1 [15.56] 34.1 [9.99] 3.3	51.2 [15.01] 31.2 [9.14] 3.2	49.4 [14.48] 28.3 [8.29] 3.2	49.3 [14.45] 41.2 [12.07] 3.2	47.6 [13.95] 37.7 [11.05] 3.2	45.8 [13.42] 34.1 [9.99] 3.1	46.4 [13.60] 46.4 [13.60] 3.3	44.8 [13.13] 42.8 [12.54] 3.2	43.1 [12.63] 38.8 [11.37] 3.2
	105 [40.6]	Total BTUH [kW] Sens BTUH [kW] Power	51.7 [15.15] 33.4 [9.79] 3.5	49.8 [14.59] 30.5 [8.94] 3.4	48.0 [14.07] 27.7 [8.12] 3.3	47.8 [14.01] 40.4 [11.84] 3.4	46.2 [13.54] 37.0 [10.84] 3.4	44.5 [13.04] 33.5 [9.82] 3.3	45.0 [13.19] 45.0 [13.19] 3.4	43.4 [12.72] 42.1 [12.34] 3.4	41.8 [12.25] 38.2 [11.20] 3.3
	110 [43.3]	Total BTUH [kW] Sens BTUH [kW] Power	50.2 [14.71] 32.6 [9.55] 3.6	48.4 [14.18] 29.8 [8.73] 3.6	46.7 [13.69] 27.0 [7.91] 3.5	46.4 [13.60] 39.6 [11.61] 3.6	44.8 [13.13] 36.2 [10.61] 3.5	43.1 [12.63] 32.9 [9.64] 3.5	43.5 [12.75] 43.5 [12.75] 3.6	42.0 [12.31] 41.4 [12.13] 3.5	40.5 [11.87] 37.5 [10.99] 3.5
	115 [46.1]	Total BTUH [kW] Sens BTUH [kW] Power	48.7 [14.27] 31.8 [9.32] 3.8	46.9 [13.75] 29.1 [8.53] 3.7	45.2 [13.25] 26.4 [7.74] 3.6	44.9 [13.16] 38.9 [11.40] 3.7	43.3 [12.69] 35.5 [10.40] 3.7	41.7 [12.22] 32.2 [9.44] 3.6	42.0 [12.31] 42.0 [12.31] 3.8	40.5 [11.87] 40.5 [11.87] 3.7	39.0 [11.43] 36.9 [10.81] 3.6

GROSS SYSTEMS PERFORMANCE DATA—RSPM-A060

		ENTERING INDOOR AIR @ 80°F [26.7°C] dbE ①									
wbE		71°F [21.7°C]			67°F [19.4°C]			63°F [17.2°C]			
CFM [L/s]		2280 [1076]	1900 [897]	1520 [717]	2280 [1076]	1900 [897]	1520 [717]	2280 [1076]	1900 [897]	1520 [717]	
DR ①		.10	.07	.02	.10	.07	.02	.10	.07	.02	
OUTDOOR DRY BULB TEMPERATURE °F [°C]	75 [23.9]	Total BTUH [kW] Sens BTUH [kW] Power	76.2 [22.33] 46.2 [13.54] 3.4	73.5 [21.54] 42.2 [12.37] 3.3	70.8 [20.75] 38.3 [11.22] 3.3	73.5 [21.54] 56.0 [16.41] 3.3	70.9 [20.78] 51.3 [15.03] 3.2	68.4 [20.05] 46.5 [13.63] 3.2	69.2 [20.28] 63.3 [18.55] 3.3	66.8 [19.58] 57.9 [16.97] 3.2	64.3 [18.84] 52.5 [15.39] 3.2
	80 [26.7]	Total BTUH [kW] Sens BTUH [kW] Power	74.6 [21.86] 45.4 [13.31] 3.6	71.9 [21.07] 41.5 [12.16] 3.5	69.3 [20.31] 37.6 [11.02] 3.5	71.9 [21.07] 55.2 [16.18] 3.5	69.4 [20.34] 50.5 [14.80] 3.4	66.8 [19.58] 45.8 [13.42] 3.4	67.6 [19.81] 62.5 [18.32] 3.5	65.2 [19.11] 57.2 [16.76] 3.4	62.8 [18.40] 51.9 [15.21] 3.4
	85 [29.4]	Total BTUH [kW] Sens BTUH [kW] Power	72.8 [21.34] 44.6 [13.07] 3.8	70.3 [20.60] 40.8 [11.96] 3.8	67.7 [19.84] 37.0 [10.84] 3.7	70.1 [20.54] 54.5 [15.97] 3.7	67.7 [19.84] 49.8 [14.59] 3.7	65.2 [19.11] 45.2 [13.25] 3.6	65.8 [19.28] 61.8 [18.11] 3.7	63.5 [18.61] 56.5 [16.56] 3.6	61.2 [17.94] 51.2 [15.01] 3.6
	90 [32.2]	Total BTUH [kW] Sens BTUH [kW] Power	70.9 [20.78] 43.8 [12.84] 4.0	68.4 [20.05] 40.1 [11.75] 4.0	65.9 [19.31] 36.4 [10.67] 3.9	68.2 [19.99] 53.7 [15.74] 3.9	65.9 [19.31] 49.1 [14.39] 3.9	63.5 [18.61] 44.5 [13.04] 3.8	63.9 [18.73] 61.0 [17.88] 3.9	61.7 [18.08] 55.8 [16.35] 3.9	59.4 [17.41] 50.6 [14.83] 3.8
	95 [35]	Total BTUH [kW] Sens BTUH [kW] Power	68.9 [20.19] 43.0 [12.60] 4.3	66.5 [19.49] 39.4 [11.55] 4.2	64.1 [18.79] 35.7 [10.46] 4.1	66.2 [19.40] 52.9 [15.50] 4.2	63.9 [18.73] 48.4 [14.18] 4.1	61.6 [18.05] 43.9 [12.87] 4.0	61.9 [18.14] 60.4 [17.70] 4.1	59.7 [17.50] 55.1 [16.15] 4.1	57.6 [16.88] 49.9 [14.62] 4.0
	100 [37.8]	Total BTUH [kW] Sens BTUH [kW] Power	66.7 [19.55] 42.1 [12.34] 4.5	64.4 [18.87] 38.6 [11.31] 4.4	62.1 [18.20] 35.0 [10.26] 4.3	64.1 [18.79] 52.0 [15.24] 4.4	61.8 [18.11] 47.6 [13.95] 4.3	59.6 [17.47] 43.1 [12.63] 4.2	59.8 [17.53] 59.2 [17.35] 4.4	57.7 [16.91] 54.3 [15.91] 4.3	55.6 [16.29] 49.2 [14.42] 4.2
	105 [40.6]	Total BTUH [kW] Sens BTUH [kW] Power	64.5 [18.90] 41.1 [12.05] 4.7	62.2 [18.23] 37.6 [11.02] 4.6	59.9 [17.55] 34.1 [9.99] 4.5	61.8 [18.11] 51.0 [14.95] 4.6	59.6 [17.47] 46.6 [13.66] 4.5	57.4 [16.82] 42.3 [12.40] 4.4	57.5 [16.85] 57.5 [16.85] 4.6	55.5 [16.27] 53.3 [15.62] 4.5	53.4 [15.65] 48.3 [14.16] 4.4
	110 [43.3]	Total BTUH [kW] Sens BTUH [kW] Power	62.0 [18.17] 39.9 [11.69] 4.9	59.9 [17.55] 36.5 [10.70] 4.8	57.7 [16.91] 33.1 [9.70] 4.8	59.4 [17.41] 49.8 [14.59] 4.8	57.3 [16.79] 45.5 [13.33] 4.7	55.2 [16.18] 41.3 [12.10] 4.7	55.0 [16.12] 55.0 [16.12] 4.8	53.1 [15.56] 52.2 [15.30] 4.7	51.2 [15.01] 47.3 [13.86] 4.6
	115 [46.1]	Total BTUH [kW] Sens BTUH [kW] Power	59.5 [17.44] 38.4 [11.25] 5.1	57.4 [16.82] 35.2 [10.32] 5.1	55.3 [16.21] 31.9 [9.35] 5.0	56.8 [16.65] 48.3 [14.16] 5.0	54.8 [16.06] 44.2 [12.95] 5.0	52.8 [15.47] 40.1 [11.75] 4.9	52.5 [15.39] 52.5 [15.39] 5.0	50.7 [14.86] 50.7 [14.86] 4.9	48.8 [14.30] 46.1 [13.51] 4.9

DR —Depression ratio
dbE—Entering air dry bulb
wbE—Entering air wet bulb

Total —Total capacity x 1000 BTUH
Sens —Sensible capacity x 1000 BTUH
Power—KW input

NOTES: ① When the entering air dry bulb is other than 80°F [27°C], adjust the sensible capacity from the table by adding $[(1.10 \times \text{CFM} \times (1 - \text{DR}) \times (\text{dbE} - 80))]$.

[] Designates Metric Conversions



INDOOR AIRFLOW PERFORMANCE—230 VOLTS

Nominal Cooling Capacity Tons [kW]	Motor Speed from Factory	Manufacturer Recommended Air-Flow Range (Min/Max) CFM	Blower Size/Motor HP [W] & # of Speeds	Motor Speed	CFM [L/s] Air Delivery/RPM/Watts—230 Volts Side Discharge—Wet Coil										
					External Static Pressure—Inches W.C. [kPa]										
					0.1 [0.02]	0.2 [0.05]	0.3 [0.07]	0.4 [0.10]	0.5 [0.12]	0.6 [0.15]	0.7 [0.17]	0.8 [0.20]	0.9 [0.22]	1.0 [0.25]	
2.0 [7.03]	Low	700/900	10x9 1/4 HP [186] 2 Speed Motor (PSC Motor)	Low	CFM	827 [390]	811 [383]	782 [369]	740 [349]	684 [323]	614 [290]	531 [251]	435 [205]	—	—
					RPM	450	533	626	742	799	894	932	985	—	—
	Watts		278	273	269	254	244	227	216	198	—	—			
	CFM		1230 [580]	1223 [577]	1216 [574]	1211 [572]	1187 [560]	1125 [531]	1020 [481]	874 [412]	696 [328]	504 [238]	—	—	
2.5 [8.79]	Low	875/1125	10x9 1/3 HP [249] 2 Speed Motor (PSC Motor)	Low	CFM	1032 [487]	1030 [486]	1014 [479]	979 [462]	923 [436]	843 [398]	735 [347]	596 [281]	423 [200]	—
					RPM	533	570	659	746	795	863	934	1019	—	—
	Watts		336	331	326	314	303	280	271	227	210	—	—		
	CFM		1312 [619]	1301 [614]	1292 [610]	1276 [602]	1246 [588]	1196 [564]	1117 [527]	1003 [473]	845 [399]	—	—		
3.0 [10.55]	Low	1050/1350	10x9 1/2 HP [373] 2 Speed Motor (PSC Motor)	Low	CFM	1261 [595]	1253 [591]	1225 [578]	1177 [555]	1110 [524]	1023 [483]	915 [432]	788 [372]	641 [303]	—
					RPM	648	705	754	802	854	896	985	1008	1041	—
	Watts		398	395	387	391	370	361	323	310	300	—	—		
	CFM		2068 [976]	2008 [948]	1957 [924]	1905 [899]	1841 [869]	1753 [827]	1629 [769]	1458 [688]	1228 [580]	929 [438]	—	—	
3.5 [12.31]	Low	1225/1575	11x9 1/2 HP [373] 2 Speed Motor (PSC Motor)	High	CFM	850	883	917	946	972	999	1028	1049	1091	1108
					RPM	783	806	784	762	734	702	658	626	546	512
	Watts		826	806	784	762	734	702	658	626	546	512			
	CFM		1431 [675]	1394 [658]	1348 [636]	1302 [614]	1258 [594]	1208 [570]	1140 [538]	1030 [486]	849 [401]	557 [263]	—	—	
4.0 [14.07]	Low	1400/1800	11x9 3/4 HP [559] 2 Speed Motor (PSC Motor)	Low	CFM	540	579	633	686	724	776	831	868	1035	1076
					RPM	540	579	633	686	724	776	831	868	1035	1076
	Watts		482	479	477	470	459	453	437	423	335	292			
	CFM		1960 [925]	1936 [914]	1903 [898]	1859 [877]	1806 [852]	1742 [822]	1669 [788]	1585 [748]	1491 [704]	1387 [655]	—	—	
5.0 [17.6]	Low	1750/2250	11x9 3/4 HP [559] 2 Speed Motor (PSC Motor)	High	CFM	703	727	750	780	809	846	877	910	940	975
					RPM	783	782	776	759	750	729	712	686	656	625
	Watts		826	806	784	762	734	702	658	626	546	512			
	CFM		1674 [790]	1638 [773]	1595 [753]	1547 [730]	1492 [704]	1432 [676]	1365 [644]	1293 [610]	1214 [573]	1129.05 [533]	—	—	
5.0 [17.6]	Low	1750/2250	11x9 3/4 HP [559] 2 Speed Motor (PSC Motor)	Low	CFM	576	618	668	708	753	789	832	874	915	954
					RPM	576	618	668	708	753	789	832	874	915	954
	Watts		575	563	556	549	544	532	522	503	483	465			
	CFM		1996 [942]	1976 [933]	1947 [919]	1909 [901]	1863 [879]	1808 [853]	1744 [823]	1671 [789]	1590 [750]	1500 [708]	—	—	
5.0 [17.6]	Low	1750/2250	11x9 3/4 HP [559] 2 Speed Motor (PSC Motor)	High	CFM	680	722	752	781	807	833	867	912	936	973
					RPM	680	722	752	781	807	833	867	912	936	973
	Watts		799	787	784	760	753	749	730	699	683	652			
	CFM		2044 [965]	2017 [952]	1983 [936]	1941 [916]	1892 [893]	1836 [866]	1773 [837]	1702 [803]	1623 [766]	1537 [725]	—	—	
5.0 [17.6]	Low	1750/2250	11x9 3/4 HP [559] 2 Speed Motor (PSC Motor)	High	CFM	689	723	756	798	822	855	889	924	951	988
					RPM	689	723	756	798	822	855	889	924	951	988
	Watts		886	870	865	849	831	817	799	782	755	726			
	CFM		2693 [1271]	2654 [1253]	2606 [1230]	2549 [1203]	2483 [1172]	2408 [1136]	2323 [1096]	2230 [1052]	2127 [1004]	2015 [951]	—	—	
5.0 [17.6]	Low	1750/2250	11x9 3/4 HP [559] 2 Speed Motor (PSC Motor)	High	CFM	876	897	915	938	966	975	996	1009	1025	1044
					RPM	876	897	915	938	966	975	996	1009	1025	1044
1438	1427	1399	1368	1340	1312	1274	1228	1192	1146	—	—				

[] Designates Metric Conversions

AIRFLOW PERFORMANCE—RSNM- SERIES



INDOOR AIRFLOW PERFORMANCE—208 VOLTS

Nominal Cooling Capacity Tons [kW]	Motor Speed from Factory	Manufacturer Recommended Air-Flow Range (Min/Max) CFM	Blower Size/ Motor HP [W] & # of Speeds	Motor Speed	CFM [L/s] Air Delivery/RPM/Watts—208 Volts Side Discharge—Wet Coil											
					External Static Pressure—Inches W.C. [kPa]											
					0.1 [0.2]	0.2 [0.5]	0.3 [0.7]	0.4 [1.0]	0.5 [1.2]	0.6 [1.5]	0.7 [1.7]	0.8 [2.0]	0.9 [2.2]	1.0 [2.5]		
2.0 [7.03]	Low	700/900	10x9 1/4 HP [186] 2 Speed Motor (PSC Motor)	Low	CFM	723 [341]	692 [327]	654 [309]	609 [287]	556 [262]	496 [234]	428 [202]	—	—	—	—
					RPM	443	528	651	710	819	863	914	—	—	—	—
					Watts	230	222	219	214	202	196	184	—	—	—	—
2.5 [8.79]	Low	875/1125	10x9 1/3 HP [249] 2 Speed Motor (PSC Motor)	High	CFM	1062 [501]	1062 [501]	1058 [499]	1043 [492]	1013 [478]	982 [454]	884 [417]	774 [365]	627 [296]	437 [206]	
					RPM	528	618	674	735	812	895	936	985	1055	1080	223
					Watts	396	393	384	376	361	335	318	297	244	—	—
3.0 [10.55]	Low	1050/1350	10x9 1/2 HP [373] 2 Speed Motor (PSC Motor)	Low	CFM	923 [436]	904 [427]	874 [412]	832 [393]	774 [365]	698 [329]	602 [284]	483 [228]	—	—	
					RPM	498	543	648	728	806	853	947	989	—	—	
					Watts	280	278	268	259	252	243	219	201	—	—	
3.5 [12.31]	Low	1225/1575	11x9 1/2 HP [373] 2 Speed Motor (PSC Motor)	High	CFM	1164 [549]	1154 [545]	1143 [539]	1124 [530]	1090 [514]	1034 [488]	948 [447]	826 [390]	660 [311]	445 [210]	
					RPM	526	596	670	744	803	864	945	971	1051	1078	235
					Watts	401	398	388	379	371	350	322	310	259	—	—
4.0 [14.07]	Low	1400/1800	11x9 3/4 HP [559] 2 Speed Motor (PSC Motor)	Low	CFM	1145 [540]	1142 [539]	1118 [528]	1073 [506]	1006 [475]	918 [433]	—	—	—	—	
					RPM	556	645	703	769	828	909	—	—	—	—	
					Watts	346	340	335	326	321	298	—	—	—	—	
5.0 [17.6]	Low	1750/2250	11x9 3/4 HP [559] 2 Speed Motor (PSC Motor)	High	CFM	1884 [889]	1850 [873]	1815 [857]	1772 [836]	1712 [808]	1630 [769]	1516 [715]	1363 [643]	1164 [549]	910 [429]	
					RPM	791	834	871	912	946	975	1004	1032	1083	1097	—
					Watts	704	694	675	655	638	606	581	548	464	—	—
5.0 [17.6]	Low	1750/2250	11x9 3/4 HP [559] 2 Speed Motor (PSC Motor)	High	CFM	1279 [604]	1237 [584]	1196 [564]	1151 [543]	1098 [518]	1032 [487]	950 [448]	846 [399]	717 [338]	558 [263]	
					RPM	490	539	598	653	709	772	811	887	928	978	—
					Watts	401	400	393	391	381	373	364	343	329	305	—
5.0 [17.6]	Low	1750/2250	11x9 3/4 HP [559] 2 Speed Motor (PSC Motor)	High	CFM	1751 [826]	1729 [816]	1698 [801]	1658 [782]	1608 [759]	1549 [731]	1481 [699]	1404 [663]	1317 [622]	1221 [576]	
					RPM	640	668	706	734	781	813	851	888	937	968	—
					Watts	660	658	651	644	628	617	603	581	557	524	—
5.0 [17.6]	Low	1750/2250	11x9 3/4 HP [559] 2 Speed Motor (PSC Motor)	High	CFM	1400 [661]	1393 [657]	1373 [648]	1337 [631]	1288 [608]	1225 [578]	1147 [541]	1055 [498]	949 [448]	828 [391]	
					RPM	536	578	623	677	718	782	830	863	902	976	—
					Watts	471	466	458	455	453	442	429	420	403	374	—
5.0 [17.6]	Low	1750/2250	11x9 3/4 HP [559] 2 Speed Motor (PSC Motor)	High	CFM	1786 [843]	1764 [833]	1734 [818]	1695 [800]	1649 [778]	1595 [753]	1532 [723]	1462 [690]	1384 [653]	1297 [612]	
					RPM	618	643	684	726	757	805	841	883	924	955	—
					Watts	665	660	651	646	638	626	612	596	573	555	—
5.0 [17.6]	Low	1750/2250	11x9 3/4 HP [559] 2 Speed Motor (PSC Motor)	High	CFM	1848 [872]	1821 [859]	1795 [842]	1742 [822]	1690 [798]	1630 [769]	1562 [737]	1486 [701]	1402 [662]	1309 [618]	
					RPM	660	685	722	755	795	836	867	904	940	975	—
					Watts	731	725	720	707	698	680	665	651	623	596	—
5.0 [17.6]	Low	1750/2250	11x9 3/4 HP [559] 2 Speed Motor (PSC Motor)	High	CFM	2444 [1153]	2420 [1142]	2384 [1125]	2337 [1103]	2278 [1075]	2208 [1042]	2127 [1004]	2034 [960]	1930 [911]	1814 [856]	
					RPM	829	838	863	885	914	936	958	983	1003	1029	—
					Watts	1225	1218	1197	1191	1160	1135	1105	1068	1035	980	—

[] Designates Metric Conversions



INDOOR AIRFLOW PERFORMANCE—230 VOLTS

Nominal Cooling Capacity Tons [kW]	Motor Speed from Factory	Manufacturer Recommended Air-Flow Range (Min/Max) CFM	Blower Size/Motor HP [W] & # of Speeds	Motor Speed	CFM [L/s] Air Delivery/RPM/Watts—230 Volts Side Discharge—Wet Coil										
					External Static Pressure—Inches W.C. [kPa]										
					0.1 [0.02]	0.2 [0.05]	0.3 [0.07]	0.4 [0.10]	0.5 [0.12]	0.6 [0.15]	0.7 [0.17]	0.8 [0.20]	0.9 [0.22]	1.0 [0.25]	
2.0 [7.03]	Low (Tap 2)	700/900	10x9 1/4 HP [186] 2 Speed X-13 (ECM) Motor	Low (Tap 2)	CFM	939 [443]	877 [414]	816 [385]	754 [356]	693 [327]	631 [298]	570 [269]	508 [240]	447 [211]	—
				High (Tap 1)	RPM	585	601	655	744	809	860	915	1001	1043	—
	Low (Tap 2)		CFM	1240 [585]	1184 [559]	1127 [532]	1071 [505]	1014 [479]	958 [452]	901 [425]	845 [399]	788 [372]	732 [345]	—	
			High (Tap 1)	RPM	607	634	698	761	815	880	946	989	1038	1091	—
2.5 [8.79]	Low (Tap 2)	875/1125	10x9 1/3 HP [249] 2 Speed X-13 (ECM) Motor	Low (Tap 2)	CFM	1169 [552]	1109 [523]	1049 [495]	988 [466]	928 [438]	868 [410]	807 [381]	747 [353]	687 [324]	626 [295]
				High (Tap 1)	RPM	603	619	693	756	809	893	942	989	1034	1076
	Low (Tap 2)		CFM	1365 [644]	1316 [621]	1266 [597]	1217 [574]	1168 [551]	1119 [528]	1069 [505]	1020 [481]	971 [458]	922 [435]	—	
			High (Tap 1)	RPM	631	677	732	784	843	894	942	1035	1077	1118	—
3.0 [10.55]	Low (Tap 2)	1050/1350	10x9 1/2 HP [373] 2 Speed X-13 (ECM) Motor	Low (Tap 2)	CFM	1328 [627]	1280 [604]	1231 [581]	1183 [558]	1135 [536]	1086 [513]	1038 [490]	990 [467]	941 [444]	893 [421]
				High (Tap 1)	RPM	648	697	752	807	857	903	989	1036	1077	1114
	Low (Tap 2)		CFM	1510 [713]	1464 [691]	1418 [669]	1373 [648]	1327 [626]	1281 [605]	1235 [583]	1190 [562]	1144 [540]	1098 [518]	—	
			High (Tap 1)	RPM	707	743	792	841	890	921	981	1031	1114	1151	—
3.5 [12.31]	Low (Tap 2)	1225/1575	11x9 1/2 HP [373] 2 Speed X-13 (ECM) Motor	Low (Tap 2)	CFM	1542 [728]	1490 [703]	1438 [679]	1386 [654]	1335 [630]	1283 [606]	1231 [581]	1180 [557]	1128 [532]	1076 [508]
				High (Tap 1)	RPM	598	617	662	714	758	800	849	876	913	951
	Low (Tap 2)		CFM	1740 [821]	1695 [800]	1649 [778]	1604 [757]	1558 [735]	1513 [714]	1467 [692]	1422 [671]	1376 [649]	1331 [628]	—	
			High (Tap 1)	RPM	632	665	709	749	797	833	879	917	951	981	—
4.0 [14.07]	Low (Tap 2)	1400/1800	11x9 3/4 HP [559] 2 Speed X-13 (ECM) Motor	Low (Tap 2)	CFM	1701 [803]	1655 [781]	1609 [759]	1563 [738]	1517 [716]	1471 [694]	1425 [673]	1379 [651]	1333 [629]	1287 [607]
				High (Tap 1)	RPM	624	648	696	743	787	826	863	895	934	970
	Low (Tap 2)		CFM	1921 [907]	1878 [886]	1835 [866]	1792 [846]	1749 [825]	1706 [805]	1663 [785]	1620 [765]	1577 [744]	1534 [724]	—	
			High (Tap 1)	RPM	678	706	738	776	816	865	899	932	967	994	—
5.0 [17.6]	Low (Tap 2)	1750/2250	11x9 3/4 HP [559] 2 Speed X-13 (ECM) Motor	Low (Tap 2)	CFM	1986 [937]	1945 [918]	1905 [899]	1864 [880]	1823 [860]	1782 [841]	1741 [822]	1700 [802]	1659 [783]	1618 [764]
				High (Tap 1)	RPM	731	759	792	832	871	909	943	979	1014	1055
	Low (Tap 2)		CFM	2229 [1052]	2190 [1034]	2152 [1016]	2114 [998]	2075 [979]	2037 [961]	1999 [943]	1960 [925]	1922 [907]	1884 [889]	—	
			High (Tap 1)	RPM	795	824	851	882	919	952	983	1013	1045	1077	—
					Watts	619	638	658	680	703	724	745	764	784	804

[] Designates Metric Conversions



INDOOR AIRFLOW PERFORMANCE—208 VOLTS

Nominal Cooling Capacity Tons [kW]	Motor Speed from Factory	Manufacturer Recommended Air-Flow Range (Min/Max) CFM	Blower Size/ Motor HP [W] & # of Speeds	Motor Speed	CFM [L/s] Air Delivery/RPM/Watts—208 Volts Side Discharge—Wet Coil										
					External Static Pressure—Inches W.C. [kPa]										
					0.1 [0.02]	0.2 [0.05]	0.3 [0.07]	0.4 [0.10]	0.5 [0.12]	0.6 [0.15]	0.7 [0.17]	0.8 [0.20]	0.9 [0.22]	1.0 [0.25]	
2.0 [7.03]	Low (Tap 2)	700/900	10x9 1/4 HP [186] 2 Speed X-13 (ECM) Motor	Low (Tap 2)	CFM	959 [453]	892 [421]	825 [389]	758 [358]	691 [326]	624 [294]	557 [263]	491 [232]	—	—
					RPM	582	606	655	723	808	851	906	996	—	—
					Watts	132	110	96	106	119	123	132	144	—	—
2.5 [8.79]	Low (Tap 2)	875/1125	10x9 1/3 HP [249] 2 Speed X-13 (ECM) Motor	High (Tap 1)	CFM	1229 [580]	1170 [552]	1112 [525]	1054 [497]	996 [470]	938 [443]	879 [415]	821 [387]	763 [360]	705 [333]
					RPM	607	634	688	761	815	880	946	989	1038	1091
					Watts	161	145	159	173	182	196	210	220	231	237
3.0 [10.55]	Low (Tap 2)	1050/1350	10x9 1/2 HP [373] 2 Speed X-13 (ECM) Motor	Low (Tap 2)	CFM	1162 [548]	1099 [519]	1035 [488]	972 [459]	908 [429]	844 [398]	781 [369]	717 [338]	654 [309]	590 [278]
					RPM	603	626	690	752	815	906	941	984	1027	1096
					Watts	143	124	136	148	157	175	180	188	192	202
3.5 [12.31]	Low (Tap 2)	1225/1575	11x9 1/2 HP [373] 2 Speed X-13 (ECM) Motor	High (Tap 1)	CFM	1306 [616]	1253 [591]	1200 [566]	1147 [541]	1095 [517]	1042 [492]	989 [467]	937 [442]	884 [417]	831 [392]
					RPM	632	679	733	787	841	883	941	1035	1067	1099
					Watts	174	187	201	215	227	235	248	266	273	277
4.0 [14.07]	Low (Tap 2)	1400/1800	11x9 3/4 HP [559] 2 Speed X-13 (ECM) Motor	Low (Tap 2)	CFM	1328 [627]	1276 [602]	1223 [577]	1171 [553]	1118 [528]	1066 [503]	1013 [478]	961 [454]	—	—
					RPM	642	693	747	803	852	903	988	1031	—	—
					Watts	173	187	200	214	226	238	254	263	—	—
5.0 [17.6]	Low (Tap 2)	1750/2250	11x9 3/4 HP [559] 2 Speed X-13 (ECM) Motor	High (Tap 1)	CFM	1508 [712]	1459 [689]	1409 [665]	1359 [641]	1310 [618]	1260 [595]	1210 [571]	1160 [547]	1111 [524]	1061 [501]
					RPM	698	738	789	839	888	933	983	1035	1103	1137
					Watts	243	255	271	285	299	310	322	332	343	343
5.0 [17.6]	Low (Tap 2)	1750/2250	11x9 3/4 HP [559] 2 Speed X-13 (ECM) Motor	Low (Tap 2)	CFM	1531 [723]	1477 [697]	1423 [672]	1370 [647]	1316 [621]	1262 [596]	1208 [570]	1154 [545]	1101 [520]	1047 [494]
					RPM	602	619	668	715	757	801	844	878	918	954
					Watts	238	227	236	251	266	281	296	307	320	333
5.0 [17.6]	Low (Tap 2)	1750/2250	11x9 3/4 HP [559] 2 Speed X-13 (ECM) Motor	High (Tap 1)	CFM	1724 [814]	1678 [792]	1632 [770]	1586 [749]	1540 [727]	1495 [706]	1449 [684]	1403 [662]	1357 [640]	1311 [619]
					RPM	639	671	715	759	794	834	875	911	948	977
					Watts	295	309	330	348	363	380	397	414	429	440
5.0 [17.6]	Low (Tap 2)	1750/2250	11x9 3/4 HP [559] 2 Speed X-13 (ECM) Motor	Low (Tap 2)	CFM	1708 [806]	1658 [782]	1609 [759]	1559 [736]	1510 [713]	1460 [689]	1410 [665]	1361 [642]	1311 [619]	1262 [596]
					RPM	619	651	686	741	783	822	859	894	937	971
					Watts	280	284	298	323	339	355	370	385	402	415
5.0 [17.6]	Low (Tap 2)	1750/2250	11x9 3/4 HP [559] 2 Speed X-13 (ECM) Motor	High (Tap 1)	CFM	1917 [905]	1872 [883]	1827 [862]	1782 [841]	1736 [819]	1691 [798]	1646 [777]	1601 [756]	1556 [734]	1510 [713]
					RPM	673	702	736	769	818	860	898	928	960	989
					Watts	377	392	409	426	451	473	490	504	518	531
5.0 [17.6]	Low (Tap 2)	1750/2250	11x9 3/4 HP [559] 2 Speed X-13 (ECM) Motor	Low (Tap 2)	CFM	1954 [922]	1914 [903]	1874 [884]	1833 [865]	1793 [846]	1753 [827]	1713 [808]	1673 [790]	1632 [770]	1592 [751]
					RPM	719	747	779	818	857	894	928	963	998	1038
					Watts	439	451	469	491	512	534	553	573	590	611
5.0 [17.6]	Low (Tap 2)	1750/2250	11x9 3/4 HP [559] 2 Speed X-13 (ECM) Motor	High (Tap 1)	CFM	2173 [1026]	2136 [1008]	2098 [990]	2061 [973]	2024 [955]	1986 [937]	1949 [920]	1911 [902]	1874 [884]	1837 [867]
					RPM	775	803	830	860	896	928	959	988	1019	1050
					Watts	604	622	642	663	686	706	727	745	765	784

[] Designates Metric Conversions



ELECTRICAL DATA – RSNM SERIES											
		-A024JK	-A030JK	-A036CK	-A036JK	-A042CK	-A042JK	-A048CK	-A048JK	-A060CK	-A060JK
Unit Information	Unit Operating Voltage Range	187-253	187-253	187-253	187-253	187-253	187-253	187-253	187-253	187-253	187-253
	Minimum Circuit Ampacity	20/20	21/21	20/20	26/26	22/22	27/27	24/24	32/32	28/28	41/41
	Minimum Overcurrent Protection Device Size	25/25	25/25	25/25	30/30	25/25	35/35	30/30	40/40	35/35	50/50
	Maximum Overcurrent Protection Device Size	30/30	35/35	30/30	40/40	30/30	40/40	35/35	50/50	40/40	60/60
Compressor Motor	No.	1	1	1	1	1	1	1	1	1	1
	Volts	208/230	208/230	208/230	208/230	208/230	208/230	208/230	208/230	208/230	208/230
	Phase	1	1	3	1	3	1	3	1	3	1
	HP	2	2.5	3	3	3.5	3.5	4	4	4.5	4.5
	RPM	3450	3450	3450	3450	3450	3450	3450	3450	3450	3450
	Amps (RLA)	13.5/13.5	14.1/14.1	12.8/12.8	17/17	13.5/13.5	17.9/17.9	14.7/14.7	21.2/21.2	16/16	26.4/26.4
	Amps (LRA)	54/54	73/73	95/95	96.7/96.7	88/88	112/112	115/115	115/115	110/110	134/134
Condenser Motor	No.	1	1	1	1	1	1	1	1	1	1
	Volts	208/230	208/230	208/230	208/230	208/230	208/230	208/230	208/230	208/230	208/230
	Phase	1	1	1	1	1	1	1	1	1	1
	HP	1/3	1/3	1/3	1/3	1/3	1/3	1/3	1/3	1/3	1/3
	Amps (FLA)	1.5	1.5	1.5	1.5	1.5	1.5	1.9	1.9	1.9	1.9
	Amps (LRA)	3	3	3	3	3	3	4	4	4	4
Evaporator Fan	No.	1	1	1	1	1	1	1	1	1	1
	Volts	208/230	208/230	208/230	208/230	208/230	208/230	208/230	208/230	208/230	208/230
	Phase	1	1	1	1	1	1	1	1	1	1
	HP	1/4	1/3	1/2	1/2	1/2	1/2	3/4	3/4	3/4	3/4
	Amps (FLA)	1.5	1.8	2.5	2.5	2.8	2.8	3.2	3.2	5.8	5.8
	Amps (LRA)	2.5	2.6	4.9	4.9	4.3	4.3	4.1	4.1	9	9



ELECTRICAL DATA – RSPM SERIES													
		-A024JK	-A030JK	-A036CK	-A036JK	-A042CK	-A042JK	A043CK	A043JK	-A048CK	-A048JK	-A060CK	-A060JK
Unit Information	Unit Operating Voltage Range	187-253	187-253	187-253	187-253	187-253	187-253	187-253	187-253	187-253	187-253	187-253	187-253
	Minimum Circuit Ampacity	23/23	24/24	22/22	27/27	25/25	30/30	25/25	30/30	27/27	35/35	30/30	43/43
	Minimum Overcurrent Protection Device Size	30/30	30/30	25/25	35/35	30/30	35/35	30/30	35/35	30/30	40/40	35/35	50/50
	Maximum Overcurrent Protection Device Size	35/35	35/35	30/30	40/40	35/35	45/45	35/35	45/45	40/40	50/50	45/45	60/60
Compressor Motor	No.	1	1	1	1	1	1	1	1	1	1	1	1
	Volts	208/230	208/230	208/230	208/230	208/230	208/230	208/230	208/230	208/230	208/230	208/230	208/230
	Phase	1	1	3	1	3	1	3	1	3	1	3	1
	HP	2	2.5	3	3	3.5	3.5	3450	3450	4	4	4.5	4.5
	RPM	3450	3450	3450	3450	3450	3450	3 1/2	3.5	3450	3450	3450	3450
	Amps (RLA)	13.5/13.5	14.1/14.1	12.8/12.8	17/17	13.5/13.5	17.9/17.9	13.5/13.5	17.9/17.9	14.7/14.7	21.2/21.2	16/16	26.4/26.4
	Amps (LRA)	58.3/58.3	73/73	95/95	96.7/96.7	88/88	112/112	88/88	112/112	115/115	115/115	110/110	134/134
Condenser Motor	No.	1	1	1	1	1	1	1	1	1	1	1	1
	Volts	208/230	208/230	208/230	208/230	208/230	208/230	208/230	208/230	208/230	208/230	208/230	208/230
	Phase	1	1	1	1	1	1	1	1	1	1	1	1
	HP	1/3	1/3	1/3	1/3	1/3	1/3	1/3	1/3	1/3	1/3	1/3	1/3
	Amps (FLA)	1.5	1.5	1.5	1.5	1.5	1.5	1.5/1.5	1.5/1.5	1.9	1.9	1.9	1.9
	Amps (LRA)	3	3	3	3	3	3	3/3	3/3	4	4	4	4
Evaporator Fan	No.	1	1	1	1	1	1	1	1	1	1	1	1
	Volts	208/230	208/230	208/230	208/230	208/230	208/230	208/230	208/230	208/230	208/230	208/230	208/230
	Phase	1	1	1	1	1	1	1	1	1	1	1	1
	HP	1/4	1/3	1/2	1/2	1/2	1/2	1/2	1/2	3/4	3/4	3/4	3/4
	Amps (FLA)	4.1	4.1	4.1	4.1	6	6	6/6	6/6	6	6	7.6	7.6



ELECTRIC HEATER KITS—RSNM- SERIES

208-240 VOLT, SINGLE PHASE, 60 HZ, AUXILIARY ELECTRIC HEATER KITS CHARACTERISTICS AND APPLICATION													
Single Power Supply For Both Unit and Heater Kit						Separate Power Supply For Both Unit and Heater Kit							
Unit Model No. RSNM-	Heater Kit					Heater Kit					Heat Pump		
	RXQJ-C Heater Kit Nominal kW	No. of Elements	No. of Sequence Steps	Rated Heater kW @ 208-240 V	Heater KBTU/Hr @ 208-240 V	Heater Amp. @ 208-240 V	Unit Min. Ckt. Ampacity @ 208-240 V	Over Current Protective Device Size @ 240 V		Min. Circuit Ampacity 208-240 V	Max. Fuse Size	Min. Circuit Ampacity @ 208 V	Over Current Protective Device Size @ 240 V
	Min./Max.	Min./Max.	Min./Max.	Min./Max.	Min./Max.	Min./Max.	Min./Max.	Min./Max.	Min./Max.	Min./Max.	Min./Max.	Min./Max.	Min./Max.
A024J	No Heat	—	—	—	—	—	20/20	25/30	25/30	20/20	—	25/30	25/30
	C05J	1	1	3.6/4.8	12.28/16.38	17.33/20	24/27	25/30	30/30	—	25/25	—	—
	C07J	1	1	5.4/7.2	18.42/24.56	26/30	35/40	35/35	40/40	—	35/40	—	—
A030J	C10J	2	1	7.2/9.6	24.57/32.76	34.7/40	46/52	50/50	60/60	—	45/50	—	—
	No Heat	—	—	—	—	—	21/21	25/35	25/35	21/21	—	25/35	25/35
	C05J	1	1	3.6/4.8	12.28/16.38	17.33/20	24/28	25/35	30/35	—	25/25	—	—
A036J	C07J	1	1	5.4/7.2	18.42/24.56	26/30	35/40	35/35	40/40	—	35/40	—	—
	C10J	2	1	7.2/9.6	24.57/32.76	34.7/40	46/53	50/50	60/60	—	45/50	—	—
	C15J	3	2	10.8/14.4	36.85/49.13	52/60	68/78	70/70	80/80	—	70/80	—	—
A042J	No Heat	—	—	—	—	—	26/26	30/40	30/40	26/26	—	30/40	30/40
	C05J	1	1	3.6/4.8	12.28/16.38	17.33/20	26/29	30/40	30/40	—	25/25	—	—
	C07J	1	1	5.4/7.2	18.42/24.56	26/30	36/41	40/40	45/45	—	35/40	—	—
A048J	C10J	2	1	7.2/9.6	24.57/32.76	34.7/40	47/54	50/50	60/60	—	45/50	—	—
	C15J	3	2	10.8/14.4	36.85/49.13	52/60	69/79	70/70	80/80	—	70/80	—	—
	C20J	4	2	14.4/19.2	49.12/65.52	69.33/80	91/104	100/100	110/110	—	90/100	—	—
A060J	No Heat	—	—	—	—	—	32/32	40/50	40/50	32/32	—	40/50	40/50
	C05J	1	1	3.6/4.8	12.28/16.38	17.33/20	32/32	35/45	35/45	—	25/25	—	—
	C07J	1	1	5.4/7.2	18.42/24.56	26/30	37/42	40/45	45/45	—	35/40	—	—
A060J	C10J	2	1	7.2/9.6	24.57/32.76	34.7/40	48/54	50/50	60/60	—	45/50	—	—
	C15J	3	2	10.8/14.4	36.85/49.13	52/60	69/79	70/70	80/80	—	70/80	—	—
	C20J	4	2	14.4/19.2	49.12/65.52	69.33/80	91/104	100/100	110/110	—	90/100	—	—
A060J	No Heat	—	—	—	—	—	41/41	50/60	50/60	41/41	—	50/60	50/60
	C05J	1	1	3.6/4.8	12.28/16.38	17.33/20	41/41	50/60	50/60	—	25/25	—	—
	C07J	1	1	5.4/7.2	18.42/24.56	26/30	41/45	50/60	50/60	—	35/40	—	—
A060J	C10J	2	1	7.2/9.6	24.57/32.76	34.7/40	51/58	60/60	60/60	—	45/50	—	—
	C15J	3	2	10.8/14.4	36.85/49.13	52/60	73/83	80/80	90/90	—	70/80	—	—
	C20J	4	2	14.4/19.2	49.12/65.52	69.33/80	94/108	100/100	110/110	—	90/100	—	—



208-240 VOLT, THREE PHASE, 60 HZ, AUXILIARY ELECTRIC HEATER KITS CHARACTERISTICS AND APPLICATION

Separate Power Supply For Both Unit and Heater Kit														
Unit Model No. RSNM-	Single Power Supply For Both Unit and Heater Kit						Heater Kit							
	RXQJ-C Heater Kit Nominal kW	No. of Elements	No. of Sequence Steps	Rated Heater kW @ 208-240 V	Heater KBTU/Hr @ 208-240 V	Heater Amp. @ 208-240 V	Unit Min. Ckt. Ampacity @ 208-240 V	Over Current Protective Device Size		Min. Circuit Ampacity 208-240 V	Max. Fuse Size			
								Min./Max. @ 208 V	Min./Max. @ 240 V					
A036C	No Heat	—	—	—	—	—	20/20	25/30	25/30	20/20	—	—	25/30	25/30
	10C	2	1	7.2/9.6	24.57/32.76	20/23.1	29/32	30/30	35/35	—	25/30	—	—	—
	15C	3	2	10.8/14.4	36.85/49.13	30.1/34.7	41/47	45/45	50/50	—	40/45	—	—	—
A042C	No Heat	—	—	—	—	—	22/22	25/30	25/30	22/22	—	—	25/30	25/30
	10C	2	1	7.2/9.6	24.57/32.76	20/23.1	29/33	30/30	35/35	—	25/30	—	—	—
	15C	3	2	10.8/14.4	36.85/49.13	30.1/34.7	42/47	45/45	50/50	—	40/45	—	—	—
	20C	4	2	14.4/19.2	49.12/65.52	40/46.3	54/62	60/60	70/70	—	50/60	—	—	—
A048C	No Heat	—	—	—	—	—	24/24	30/35	30/35	24/24	—	—	30/35	30/35
	10C	2	1	7.2/9.6	24.57/32.76	20/23.1	29/33	30/30	35/35	—	25/30	—	—	—
	15C	3	2	10.8/14.4	36.85/49.13	30.1/34.7	42/48	45/45	50/50	—	40/45	—	—	—
	20C	4	2	14.4/19.2	49.12/65.52	40/46.3	54/62	60/60	70/70	—	50/60	—	—	—
A060C	No Heat	—	—	—	—	—	28/28	35/40	35/40	28/28	—	—	35/40	35/40
	10C	2	1	7.2/9.6	24.57/32.76	20/23.1	33/37	35/45	40/45	—	25/30	—	—	—
	15C	3	2	10.8/14.4	36.85/49.13	30.1/34.7	45/51	45/45	60/60	—	40/45	—	—	—
	20C	4	2	14.4/19.2	49.12/65.52	40/46.3	58/66	60/60	70/70	—	50/60	—	—	—



208-240 VOLT, SINGLE PHASE, 60 HZ, AUXILIARY ELECTRIC HEATER KITS CHARACTERISTICS AND APPLICATION														
Separate Power Supply For Both Unit and Heater Kit														
Unit Model No. RSPM-	Single Power Supply For Both Unit and Heater Kit						Heat Pump							
	RXQJ-C Heater Kit Nominal kW	No. of Elements	No. of Sequence Steps	Rated Heater kW @ 208-240 V	Heater KBTU/Hr @ 208-240 V	Heater Amp. @ 208-240 V	Unit Min. Ckt. Ampacity @ 208-240 V	Over Current Protective Device Size @ 240 V		Heater Kit		Over Current Protective Device Size @ 240 V		
								Min./Max.	Min./Max.	Min. Ckt. Ampacity	Max. Fuse Size	Min. Circuit Ampacity 208-240 V	Min./Max. @ 208 V	Min./Max. @ 240 V
A024J	No Heat	—	—	—	—	—	23/23	30/35	30/35	—	—	23/23	30/35	30/35
	05J	1	1	3.6/4.8	12.28/16.38	17.33/20	27/31	30/35	35/35	22/25	25/25	—	—	—
	07J	1	1	5.4/7.2	18.42/24.56	26/30	38/43	40/40	45/45	33/38	35/40	—	—	—
A030J	10J	2	1	7.2/9.6	24.57/32.76	34.7/40	49/56	50/50	60/60	44/50	45/50	—	—	—
	No Heat	—	—	—	—	—	24/24	30/35	30/35	—	—	24/24	30/35	30/35
	05J	1	1	3.6/4.8	12.28/16.38	17.33/20	27/31	30/35	35/35	22/25	25/25	—	—	—
A036J	07J	1	1	5.4/7.2	18.42/24.56	26/30	38/43	40/40	45/45	33/38	35/40	—	—	—
	10J	2	1	7.2/9.6	24.57/32.76	34.7/40	49/56	50/50	60/60	44/50	45/50	—	—	—
	15J	3	2	10.8/14.4	36.85/49.13	52/60	71/81	80/80	90/90	65/75	70/80	—	—	—
A042J	No Heat	—	—	—	—	—	27/27	35/40	35/40	—	—	27/27	35/40	35/40
	05J	1	1	3.6/4.8	12.28/16.38	17.33/20	27/31	35/40	35/40	22/25	25/25	—	—	—
	07J	1	1	5.4/7.2	18.42/24.56	26/30	38/43	40/40	45/45	33/38	35/40	—	—	—
A043J	10J	2	1	7.2/9.6	24.57/32.76	34.7/40	49/56	50/50	60/60	44/50	45/50	—	—	—
	15J	3	2	10.8/14.4	36.85/49.13	52/60	73/83	80/80	90/90	65/75	70/80	—	—	—
	20J	4	2	14.4/19.2	49.12/65.52	69.33/80	95/108	100/100	110/110	87/100	90/100	—	—	—
A048J	No Heat	—	—	—	—	—	35/35	40/50	40/50	—	—	35/35	40/50	40/50
	05J	1	1	3.6/4.8	12.28/16.38	17.33/20	35/35	35/45	35/45	22/25	25/25	—	—	—
	07J	1	1	5.4/7.2	18.42/24.56	26/30	40/45	40/40	45/45	33/38	35/40	—	—	—
A060J	10J	2	1	7.2/9.6	24.57/32.76	34.7/40	51/58	60/60	60/60	44/50	45/50	—	—	—
	15J	3	2	10.8/14.4	36.85/49.13	52/60	73/83	80/80	90/90	65/75	70/80	—	—	—
	20J	4	2	14.4/19.2	49.12/65.52	69.33/80	95/108	100/100	110/110	87/100	90/100	—	—	—
A060J	No Heat	—	—	—	—	—	43/43	50/60	50/60	—	—	43/43	50/60	50/60
	05J	1	1	3.6/4.8	12.28/16.38	17.33/20	43/43	50/60	50/60	22/25	25/25	—	—	—
	07J	1	1	5.4/7.2	18.42/24.56	26/30	43/47	50/60	50/60	33/38	35/40	—	—	—
A060J	10J	2	1	7.2/9.6	24.57/32.76	34.7/40	53/60	60/60	60/60	44/50	45/50	—	—	—
	15J	3	2	10.8/14.4	36.85/49.13	52/60	75/85	80/80	90/90	65/75	70/80	—	—	—
	20J	4	2	14.4/19.2	49.12/65.52	69.33/80	97/110	100/100	110/110	87/100	90/100	—	—	—



208-240 VOLT, THREE PHASE, 60 HZ, AUXILIARY ELECTRIC HEATER KITS CHARACTERISTICS AND APPLICATION															
Separate Power Supply For Both Unit and Heater Kit															
Unit Model No. RSPM-	RXQJ-C Heater Kit Nominal kW	No. of Elements	No. of Sequence Steps	Rated Heater kW @ 208-240 V	Heater Kit				Heater Kit						
					Heater KBTU/Hr @ 208-240 V	Heater Amp. @ 208-240 V	Unit Min. Ckt. Ampacity @ 208-240 V	Over Current Protective Device Size @ 240 V		Min. Ckt. Ampacity	Max. Fuse Size	Min. Circuit Ampacity 208-240 V	Over Current Protective Device Size @ 240 V		
									Min./Max. @ 208 V	Min./Max. @ 240 V			Min./Max. @ 208 V	Min./Max. @ 240 V	
A036C	No Heat	—	—	—	—	—	—	22/22	25/30	25/30	—	—	22/22	25/30	25/30
	10C	2	1	7.2/9.6	24.57/32.76	20/23.1	31/34	35/35	35/35	35/35	25/29	25/30	—	—	—
	15C	3	2	10.8/14.4	36.85/49.13	30.1/34.7	43/49	45/45	50/50	50/50	38/44	40/45	—	—	—
A042C A043C	No Heat	—	—	—	—	—	25/25	30/35	30/35	30/35	—	—	25/25	30/35	30/35
	10C	2	1	7.2/9.6	24.57/32.76	20/23.1	33/37	35/35	40/40	40/40	25/29	25/30	—	—	—
	15C	3	2	10.8/14.4	36.85/49.13	30.1/34.7	46/51	50/50	60/60	60/60	38/44	40/45	—	—	—
	20C	4	2	14.4/19.2	49.12/65.52	40/46.3	58/66	60/60	70/70	70/70	50/58	50/60	—	—	—
A048C	No Heat	—	—	—	—	—	27/27	30/40	30/40	30/40	—	—	27/27	30/40	30/40
	10C	2	1	7.2/9.6	24.57/32.76	20/23.1	33/37	35/35	40/40	40/40	25/29	25/30	—	—	—
	15C	3	2	10.8/14.4	36.85/49.13	30.1/34.7	46/51	50/50	60/60	60/60	38/44	40/45	—	—	—
	20C	4	2	14.4/19.2	49.12/65.52	40/46.3	58/66	60/60	70/70	70/70	50/58	50/60	—	—	—
A060C	No Heat	—	—	—	—	—	30/30	35/45	35/45	35/45	—	—	30/30	35/45	35/45
	10C	2	1	7.2/9.6	24.57/32.76	20/23.1	35/39	35/35	40/40	40/40	25/29	25/30	—	—	—
	15C	3	2	10.8/14.4	36.85/49.13	30.1/34.7	48/53	50/50	60/60	60/60	38/44	40/45	—	—	—
	20C	4	2	14.4/19.2	49.12/65.52	40/46.3	60/68	60/60	70/70	70/70	50/58	50/60	—	—	—

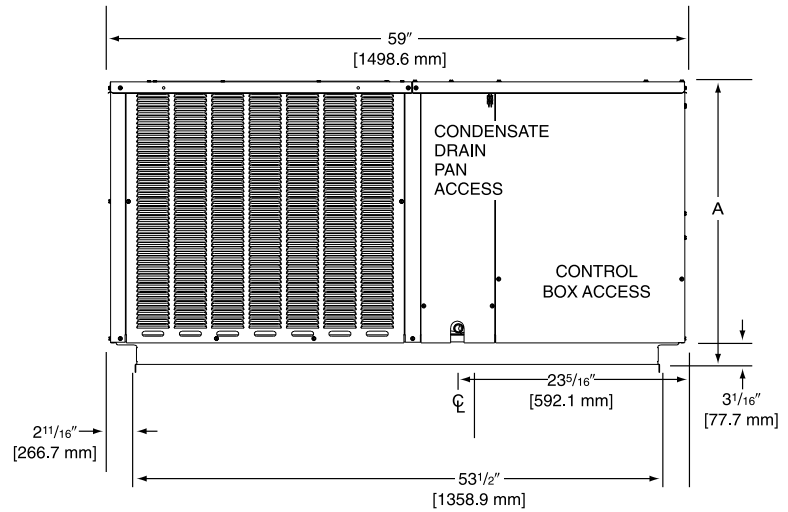


UNIT DIMENSIONS—RSNM/RSPM- SERIES

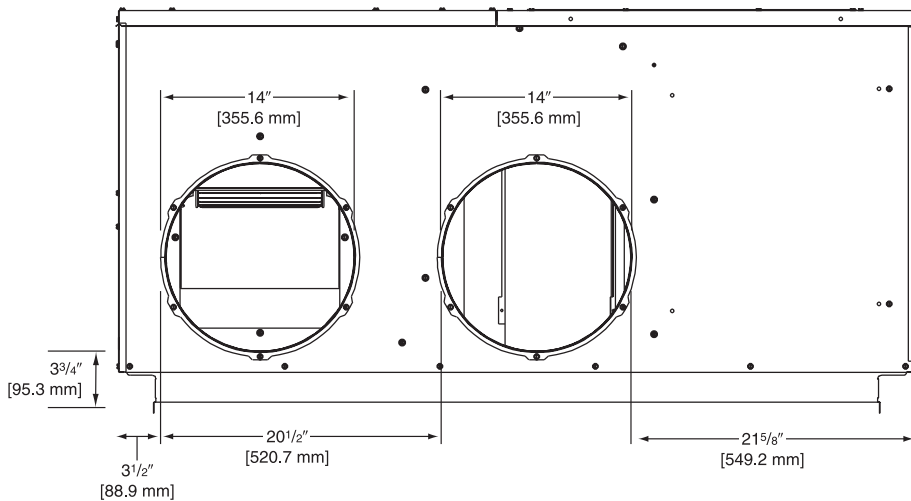
DIMENSIONS

Model	Height "A"
024, 030, 036, 042, 043	29 1/8"
048, 060	37 1/8"

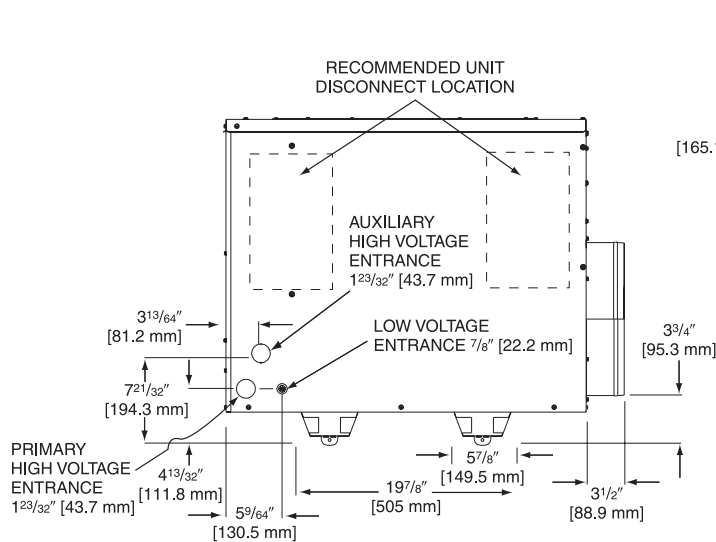
FRONT VIEW



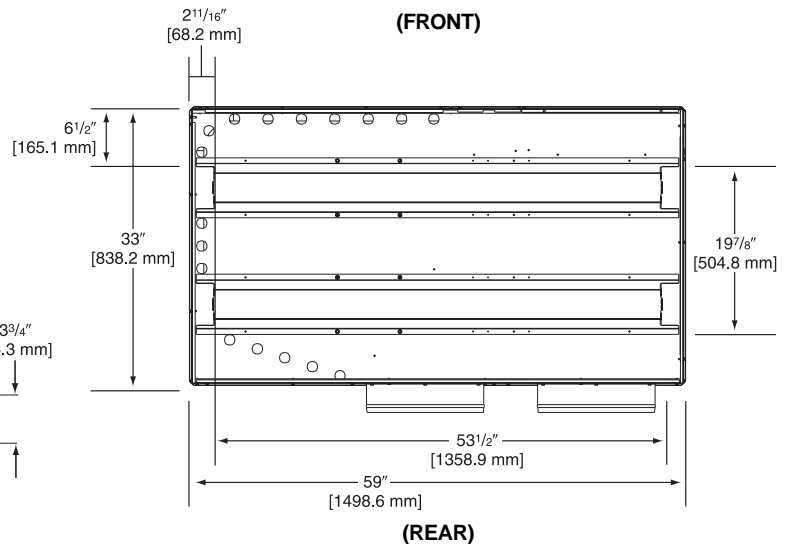
REAR VIEW



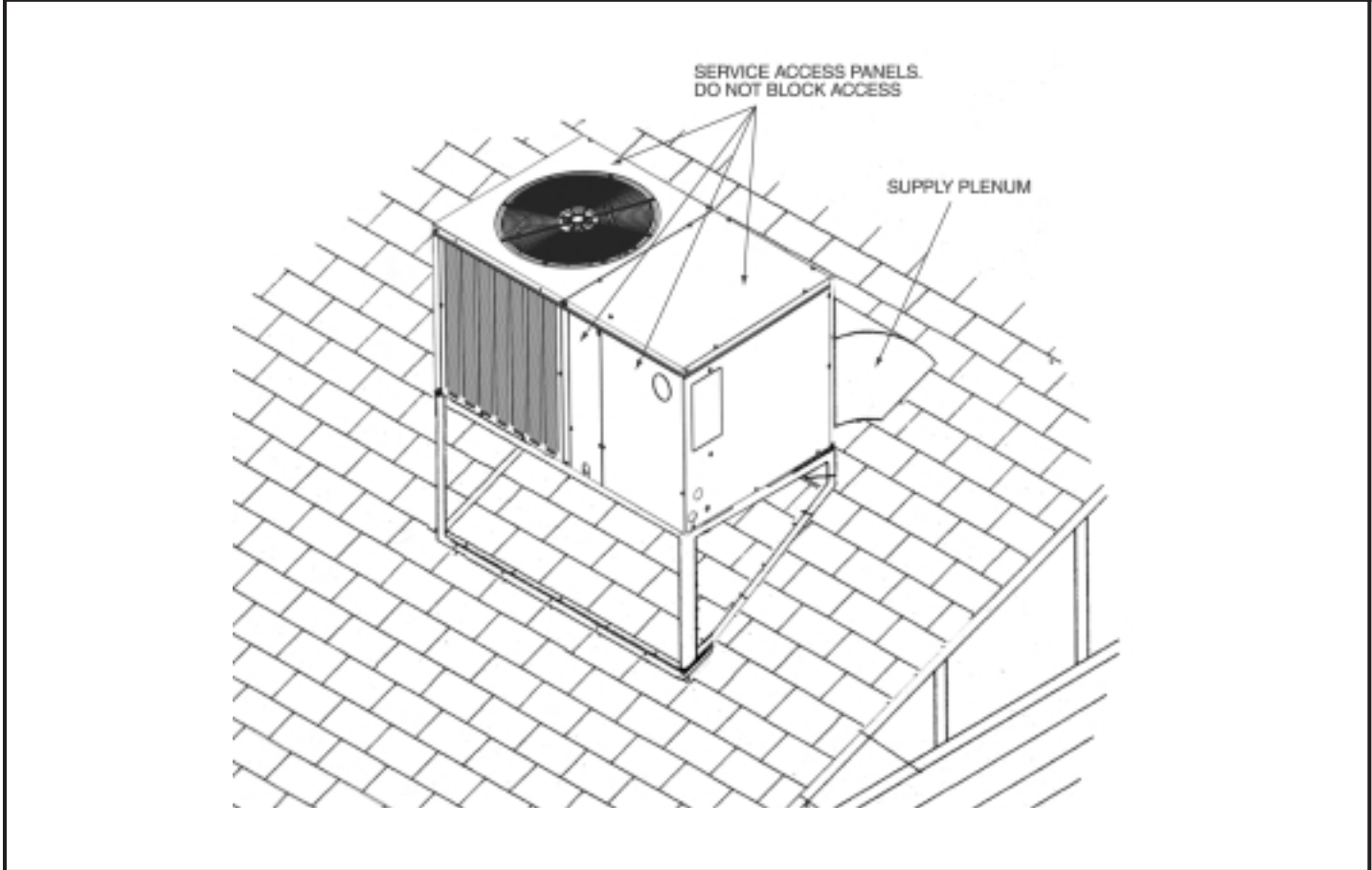
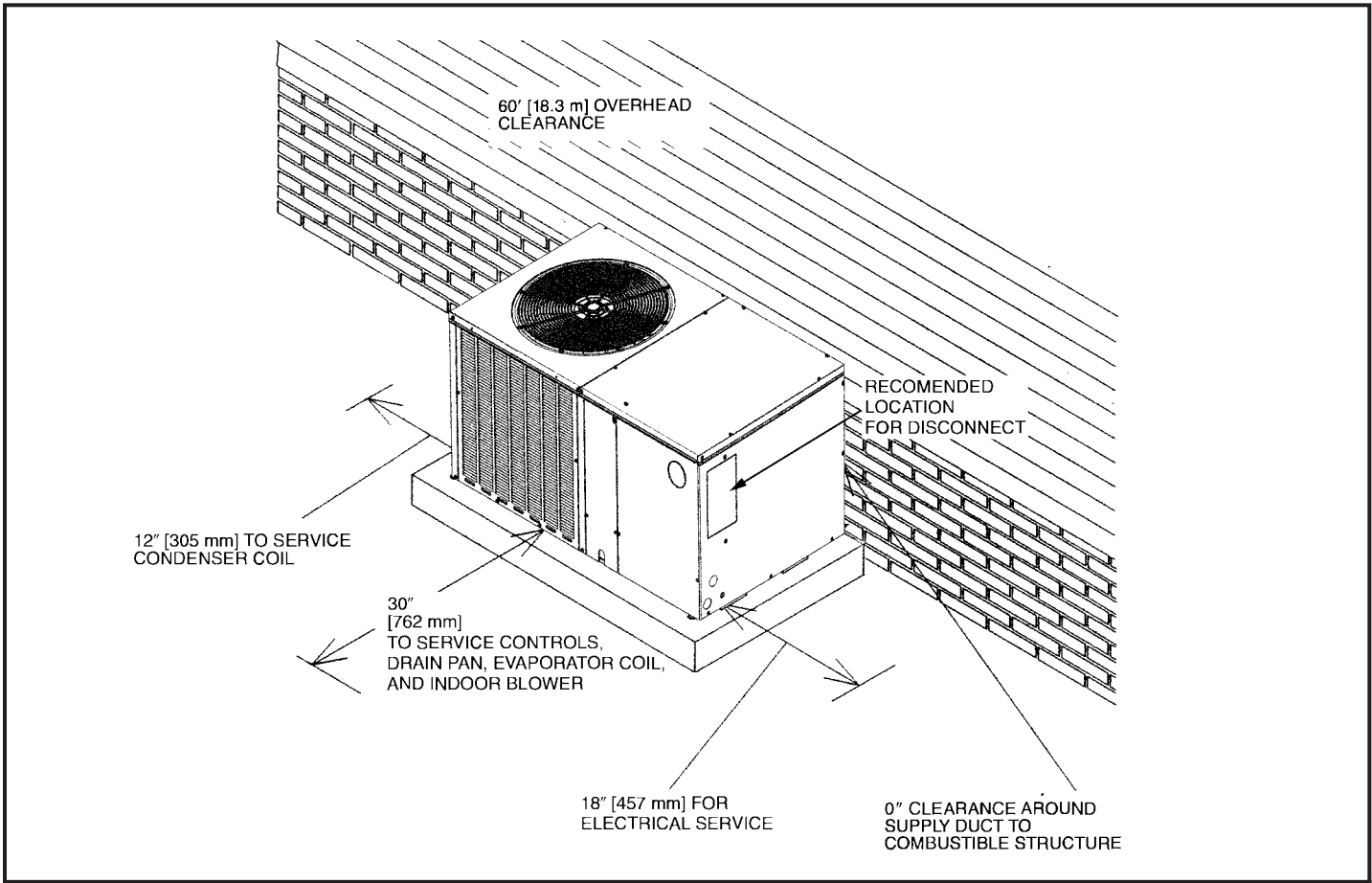
ELECTRICAL CONNECTIONS



BOTTOM VIEW



[] Designates Metric Conversions



ACCESSORY EQUIPMENT

Accessory Description	Model Application	Accessory Model No.
Outdoor Thermostat	RSNM/RSPM	RXPT-A01
Thermostat	RSNM/RSPM	See Thermostat Specification Sheet (T11-001)

THERMOSTATS

100-Series *
Non-Programmable

200-Series *
Programmable

300-Series *
Deluxe Programmable

400-Series *
Special Applications/
Programmable

500-Series *
Communicating/
Programmable

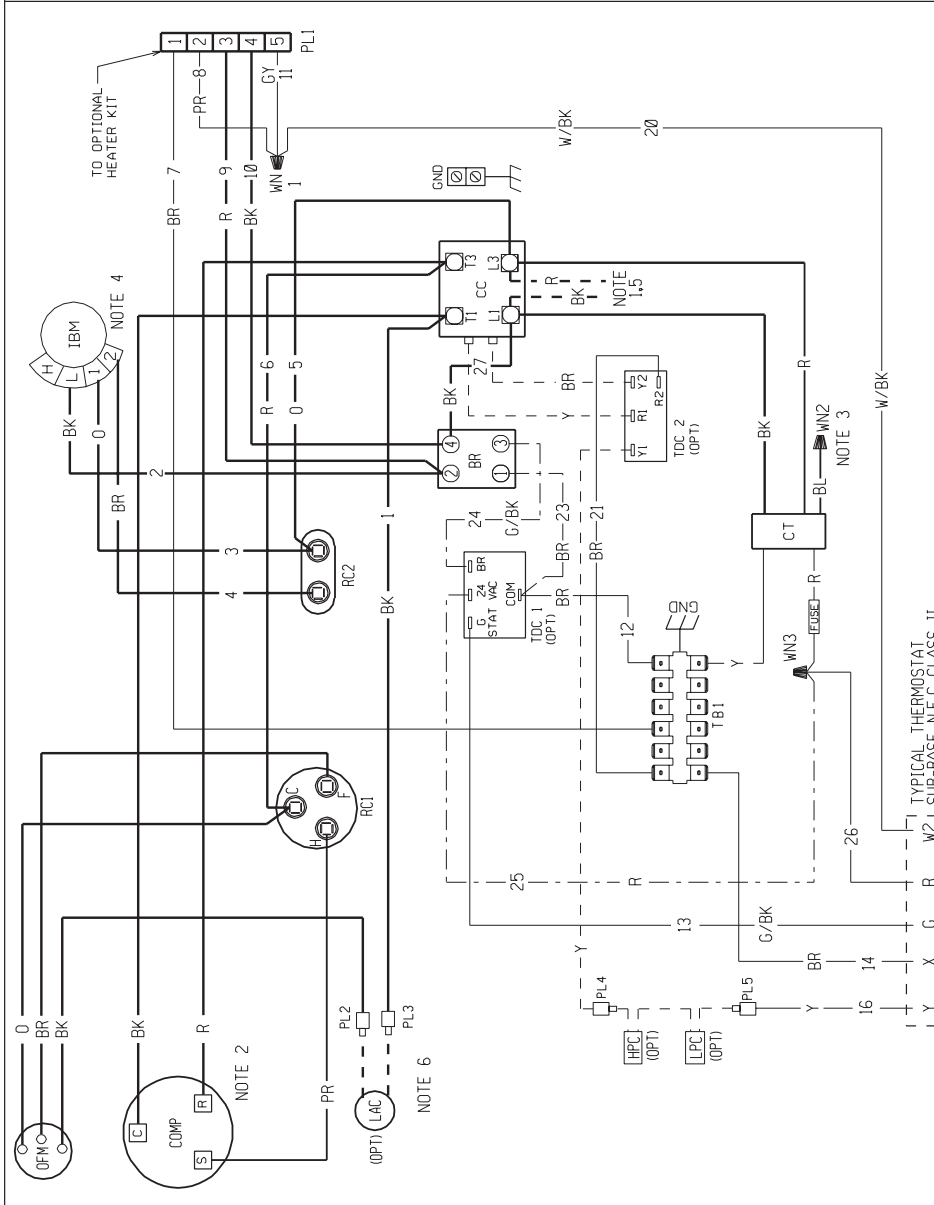
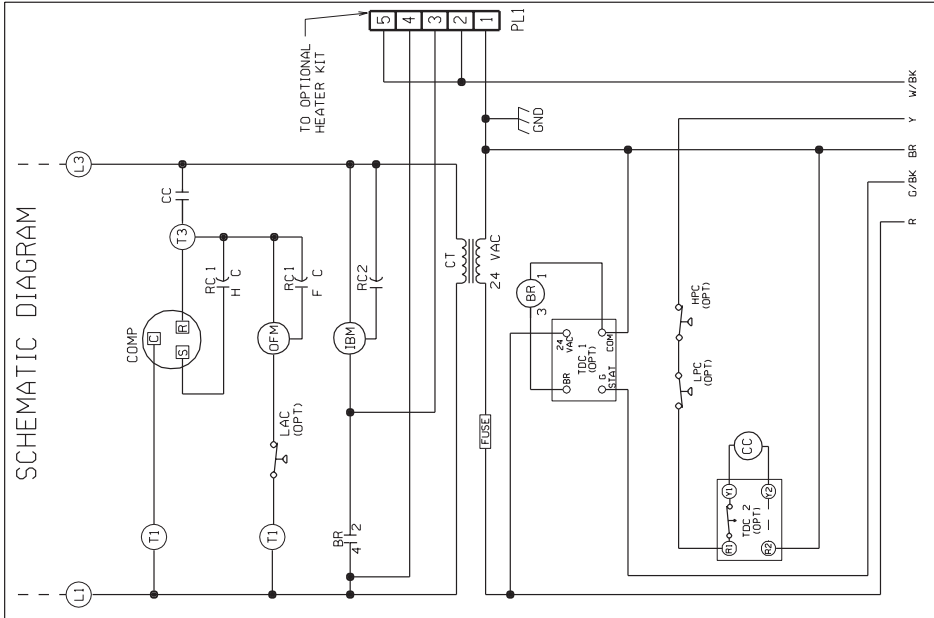
Brand	Unique Model Number Prefix	Descriptor (3 Characters)	Series (3 Characters)	System (2 Characters)	Type (2 Characters)
RHC	-	TST	101	GE	MS
RHC=Rheem		TST=Thermostat	100=Non-Programmable 200=Programmable 300=Deluxe Programmable 400=Special Applications/ Programmable 500=Communicating/ Programmable	GE=Gas/Oil/Electric HP=Heat Pump MD=Modulating Furnace DF=Dual Fuel UN=Universal AC/HP/GE CM=Communicating	SS=Single-Stage MS=Multi-Stage

* Photos are representative. Actual models may vary.

For detailed thermostat match-up information, see specification sheet form number T11-001.



SCHEMATIC DIAGRAM



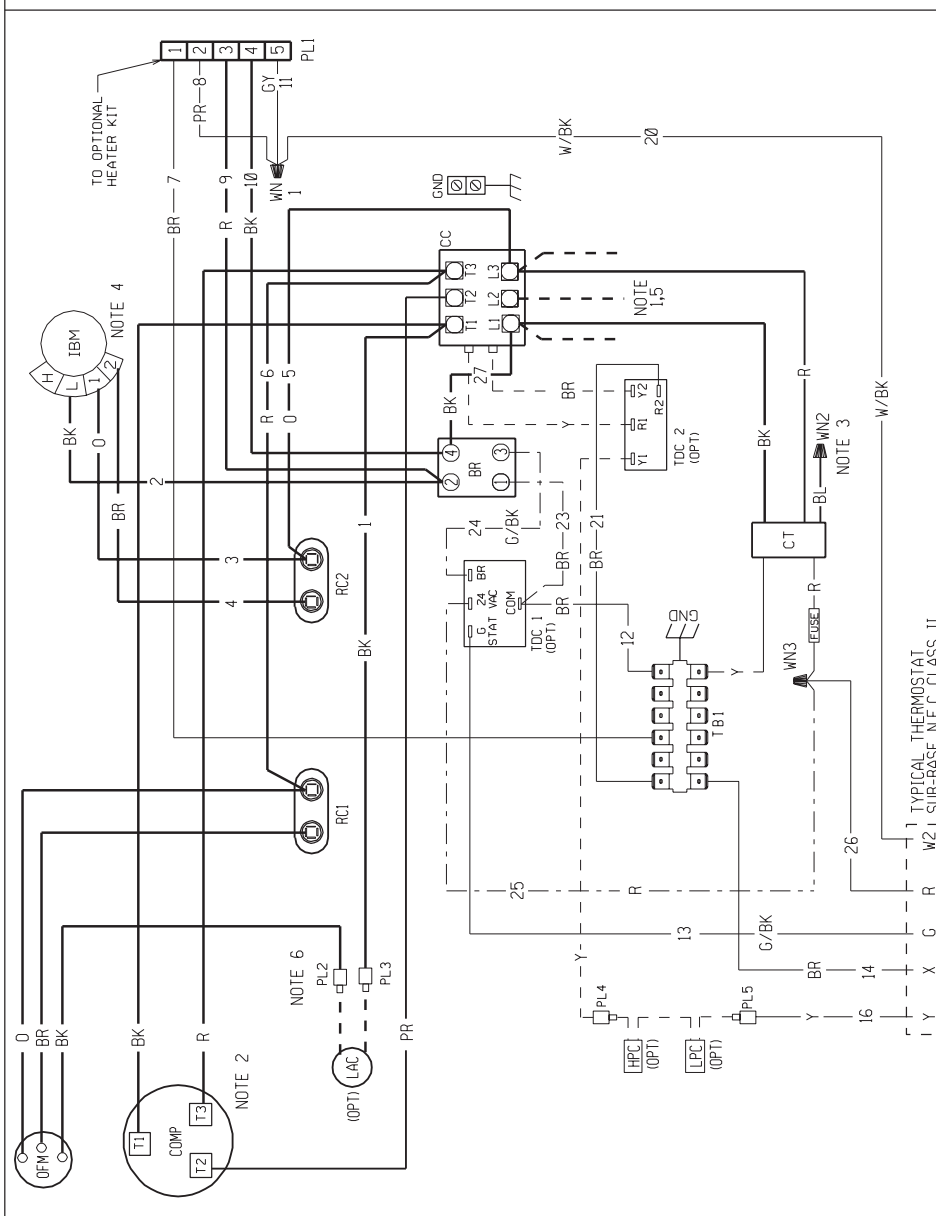
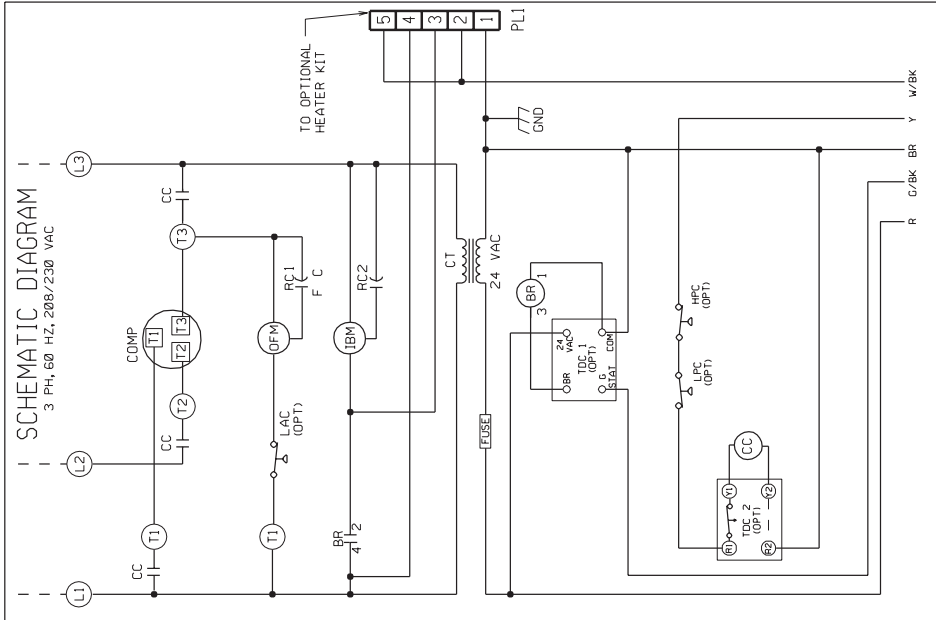
WIRE COLOR CODE	
BK	BLACK
OR	ORANGE
BR	BROWN
BL	BLUE
R	RED
W	WHITE
GY	GRAY
Y	YELLOW

ELECTRICAL WIRING DIAGRAM	
PACKAGE AIR CONDITIONER	
1 PH, 208-230 VOLT - 60 HZ	DMG. NO. 90-23637-05
DR. BY B.J.L.	APP. BY DATE 03-09-04
REV 02	

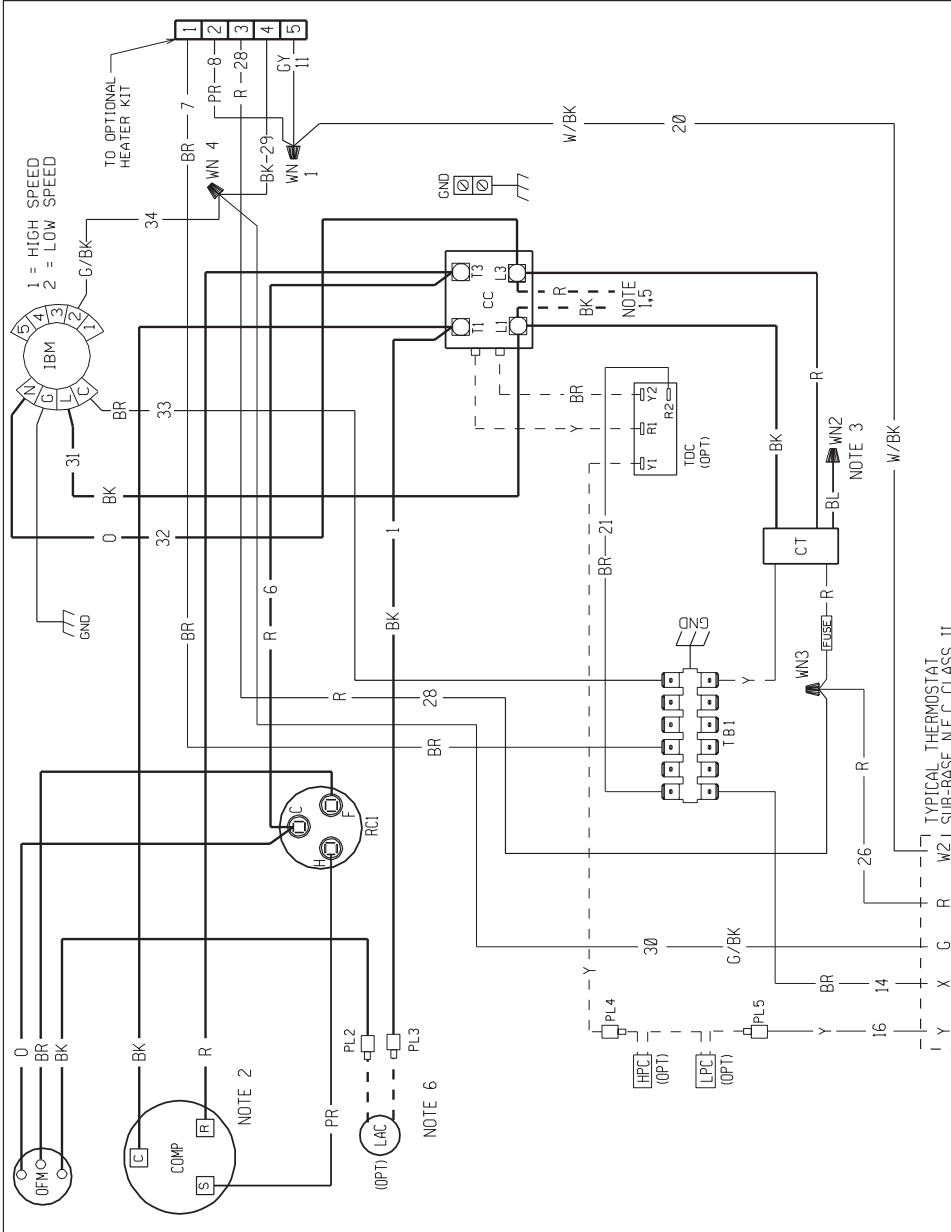
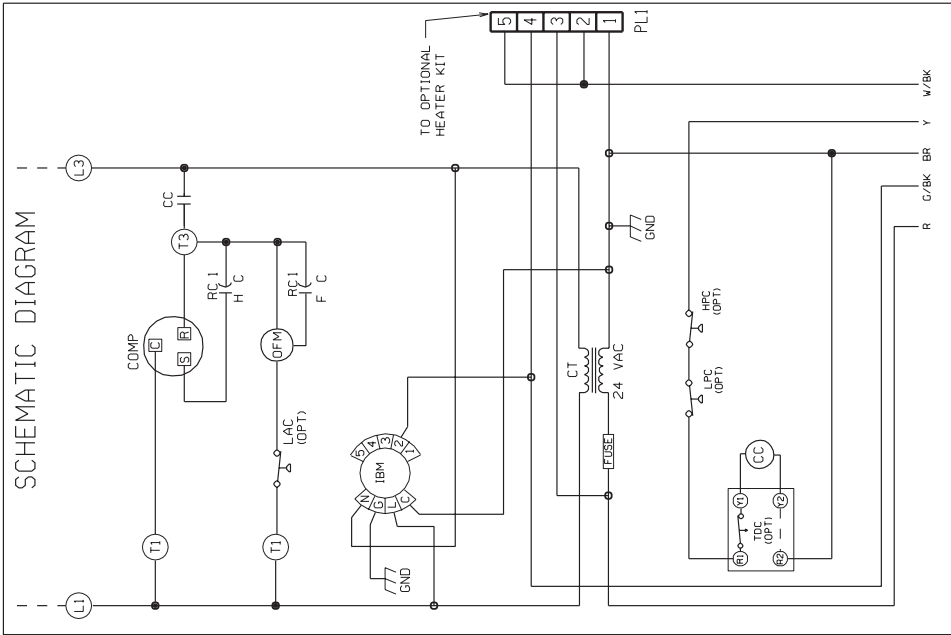
WIRING INFORMATION	
LINE VOLTAGE	-FACTORY STANDARD
	-FACTORY OPTION
	-FIELD INSTALLED
LOW VOLTAGE	-FACTORY STANDARD
	-FACTORY OPTION
	-FIELD INSTALLED
REPLACEMENT WIRE	-MUST BE THE SAME SIZE AND TYPE OF INSULATION AS ORIGINAL (105 C MIN.)
	-CABINET MUST BE PERMANENTLY GROUNDED AND CONFORM TO I.E.C., N.E.C., C.E.C. AND LOCAL CODES AS APPLICABLE;
	WARNING

NOTES:	
1.	CONNECTORS SUITABLE FOR USE WITH COPPER CONDUCTORS ONLY.
2.	COMPRESSOR MOTOR THERMALLY PROTECTED.
3.	TRANSFORMER FACTORY WIRED FOR 230 VOLTS. USE RED AND BLUE LEADS FOR 208 VOLTS.
4.	MOTOR FACTORY WIRED FOR LOW SPEED. SEE AIRFLOW TABLES IN INSTALLATION INSTRUCTIONS TO DETERMINE CORRECT SPEED FOR UNIT APPLICATION.
5.	FIELD WIRING OR CONNECTION FROM HEATER KIT FUSE BLOCK.
6.	PL2 & PL3 ARE CONNECTED WHEN LAC IS NOT PRESENT.

COMPONENT CODE	
ALC	AUX. LIMIT CONTROL
BR	BLOWER RELAY
CC	COMPRESSOR CONTACTOR
CH	CRANKCASE HEATER
COMP	COMPRESSOR
CT	CONTROL TRANSFORMER
GND	GROUND
HPC	HIGH PRESSURE CONTROL
IBM	INDOOR BLOWER MOTOR
LAC	LOW AMBIENT COOLING CONTROL
OFM	OUTDOOR FAN MOTOR
OPT	OPTIONAL
PLUG	PLUG
RC	RUN CAPACITOR
TRM	TERMINAL BLOCK
TDC	TIME DELAY CONTROL WIRE NUT
W/BK	W/BK



COMPONENT CODE		WIRING INFORMATION		WIRE COLOR CODE	
AUX. LIMIT CONTROL	LAC	LINE VOLTAGE	---	BK	BLACK
BLOWER RELAY	BR	FACTORY STANDARD	---	BR	BROWN
COMPRESSOR CONTACTOR	CC	FACTORY OPTION	---	BL	BLUE
CRANKCASE HEATER	CH	FIELD INSTALLED	---	BL	BLUE
COMPRESSOR	COMP	LOW VOLTAGE	---	BR	BROWN
CONTROL TRANSFORMER	CT	FACTORY STANDARD	---	BR	BROWN
GROUND	GND	FACTORY OPTION	---	BR	BROWN
HIGH PRESSURE CONTROL	HPC	FIELD INSTALLED	---	BR	BROWN
INDOOR BLOWER MOTOR	IBM	REPLACEMENT WIRE	---	BR	BROWN
		MUST BE THE SAME SIZE AND TYPE OF INSULATION AS ORIGINAL (105 C° MIN.)	---	BR	BROWN
		WARNING	---	BR	BROWN
		CABINET MUST BE PERMANENTLY GROUNDED AND CONFORM TO I.E.C., N.E.C., C.E.C. AND LOCAL CODES AS APPLICABLE.	---	BR	BROWN
DWG. NO.	90-23637-06	DR. BY	KDF	APP. BY	DATE
REV	01				06-29-04
					DWG. NO.
					90-23637-06
					REV
					01



WIRE COLOR CODE

BK	BLACK	GY	GRAY	R	RED
BR	BROWN	O	ORANGE	W	WHITE
BL	BLUE	PK	PINK	Y	YELLOW
G	GREEN	PR	PURPLE		

ELECTRICAL WIRING DIAGRAM

PACKAGE AIR CONDITIONER

1 PH., 208-230 VOLT - 60 HZ

WIRING INFORMATION

LINE VOLTAGE
 -FACTORY STANDARD
 -FACTORY OPTION
 -FIELD INSTALLED

LOW VOLTAGE
 -FACTORY STANDARD
 -FACTORY OPTION
 -FIELD INSTALLED

REPLACEMENT WIRE
 -MUST BE THE SAME SIZE AND TYPE OF INSULATION AS ORIGINAL (105 C MIN.)
 WARNING
 -CABINET MUST BE PERMANENTLY GROUNDED AND CONFORM TO I.E.C., N.E.C., C.E.C. AND LOCAL CODES AS APPLICABLE.

- ### NOTES:
- CONNECTORS SUITABLE FOR USE WITH COPPER CONDUCTORS ONLY.
 - COMPRESSOR MOTOR THERMALLY PROTECTED.
 - TRANSFORMER FACTORY WIRED FOR 230 VOLTS. USE RED AND BLUE LEADS FOR 208 VOLTS.
 - MOTOR FACTORY WIRED FOR LOW SPEED. SEE AIRFLOW TABLES IN INSTALLATION INSTRUCTIONS TO DETERMINE CORRECT SPEED FOR UNIT APPLICATION.
 - FIELD WIRING OR CONNECTION FROM HEATER KIT FUSE BLOCK.
 - PL2 & PL3 ARE CONNECTED WHEN LAC IS NOT PRESENT.

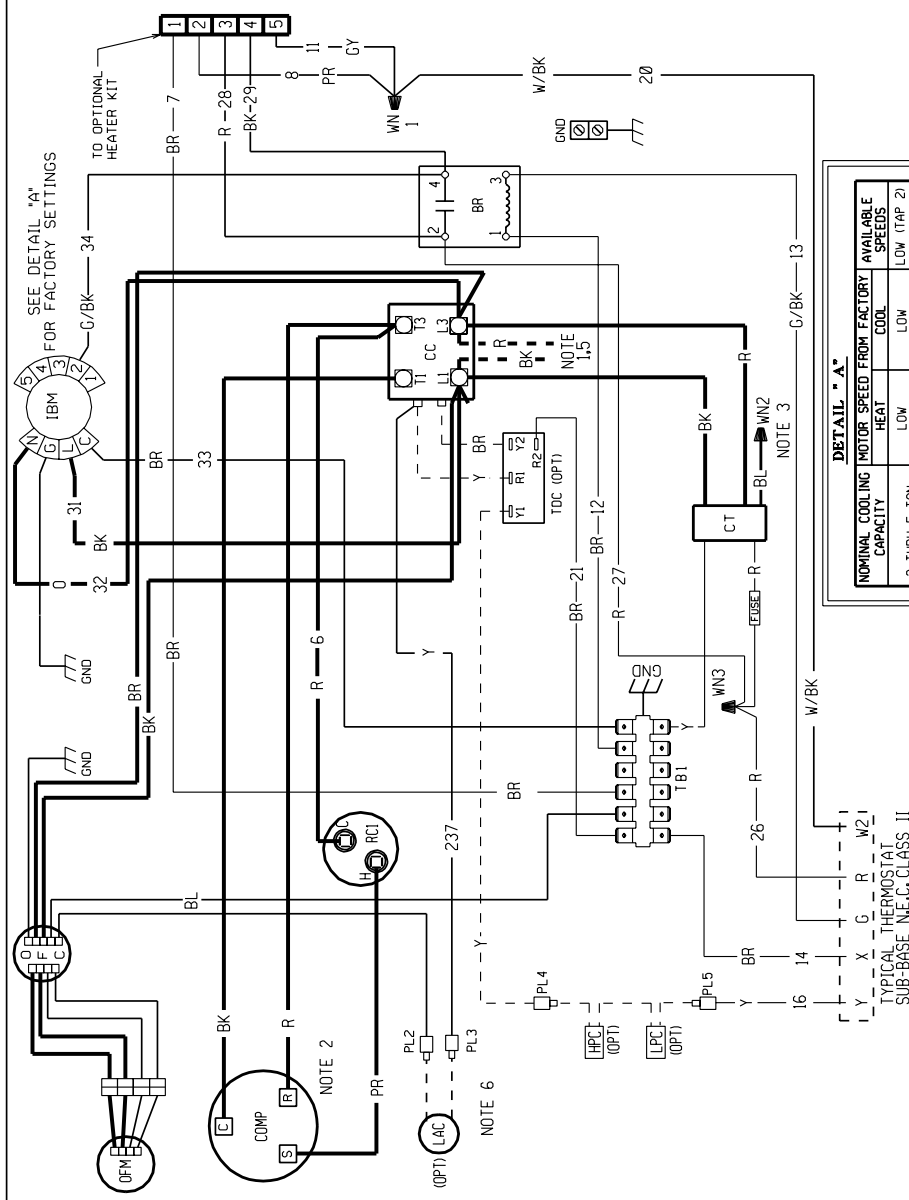
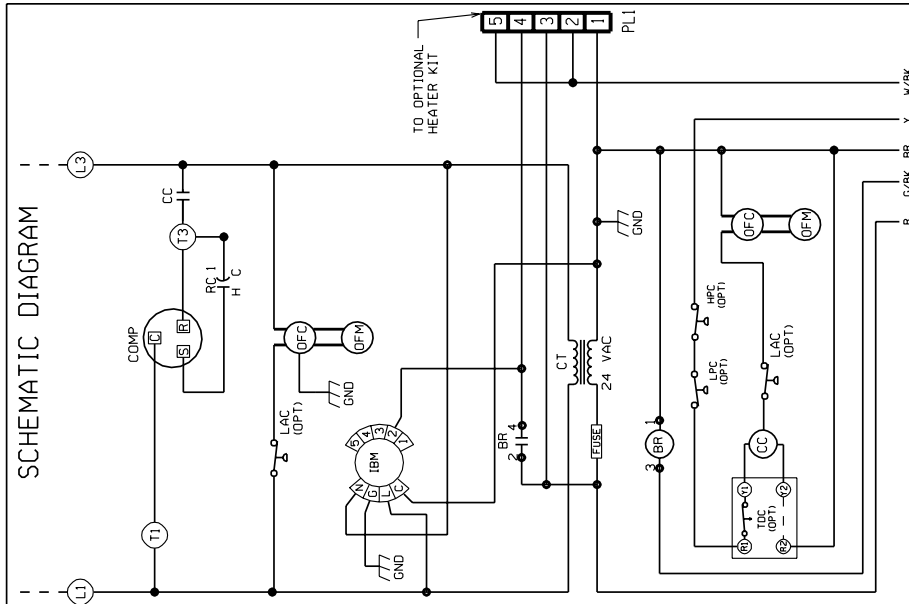
COMPONENT CODE

AUX	LIMIT CONTROL
BLC	BLOWER RELAY
CC	COMPRESSOR CONTACTOR
CCH	CRANKCASE HEATER
COMP	COMPRESSOR
CT	CONTROL TRANSFORMER
GND	GROUND
HPC	HIGH PRESSURE CONTROL
IBM	INDOOR BLOWER MOTOR
LAC	LOW AMBIENT COOLING CONTROL
OFM	OUTDOOR FAN MOTOR
OPT	OPTIONAL
PL	PLUG
PC	RUN CAPACITOR
PL	CONTROL TRANSFORMER
TB	TERMINAL BLOCK
TDC	TIME DELAY CONTROL
W	WIRE NUT

DWG. NO.	90-23637-09	REV	00
----------	-------------	-----	----



SCHEMATIC DIAGRAM



WIRE COLOR CODE

BK	BLACK	GY	GRAY	R	RED
BR	BROWN	O	ORANGE	W	WHITE
BL	BLUE	PK	PINK	Y	YELLOW
G	GREEN	PR	PURPLE	CL	CLEAR

WIRING INFORMATION

- LINE VOLTAGE
 - FACTORY STANDARD
 - FACTORY OPTION
 - FIELD INSTALLED
 - LOW VOLTAGE
 - FACTORY STANDARD
 - FACTORY OPTION
 - FIELD INSTALLED
 - REPLACEMENT WIRE
 - MUST BE THE SAME SIZE AND TYPE OF INSULATION AS ORIGINAL (105 C° MIN.)
 - WARNING
 - CABINET MUST BE PERMANENTLY GROUNDED AND CONFORM TO I.E.C., N.E.C., C.E.C. AND LOCAL CODES AS APPLICABLE.

NOTES:

- CONNECTORS SUITABLE FOR USE WITH COPPER CONDUCTORS ONLY.
- COMPRESSOR MOTOR THERMALLY PROTECTED.
- TRANSFORMER FACTORY WIRED FOR 230 VOLTS. USE RED AND BLUE LEADS FOR 208 VOLTS.
- MOTOR FACTORY WIRED FOR LOW SPEED. SEE AIRFLOW TABLES IN INSTALLATION INSTRUCTIONS TO DETERMINE CORRECT SPEED FOR UNIT APPLICATION.
- FIELD WIRING OR CONNECTION FROM HEATER KIT FUSE BLOCK.
- PL2 & PL3 ARE CONNECTED WHEN LAC IS NOT PRESENT.

COMPONENT CODE

ALC	AUX. LIMIT CONTROL
BR	BLOWER RELAY CONTACTOR
CC	CRANKCASE HEATER
COMP	COMPRESSOR MOTOR
CT	CONTROL TRANSFORMER
GND	GROUND
HPC	HIGH PRESSURE CONTROL
IBM	INDOOR BLOWER MOTOR
LAC	LOW AMBIENT COOLING CONTROL
PL4	OUTDOOR FAN CONTROL
PL5	OUTDOOR FAN MOTOR
PL6	OPTIONAL PLUG
PL7	RUN CAPACITOR
PL8	TERMINAL BLOCK
PL9	TIME DELAY CONTROL
PL10	WIRE NUT

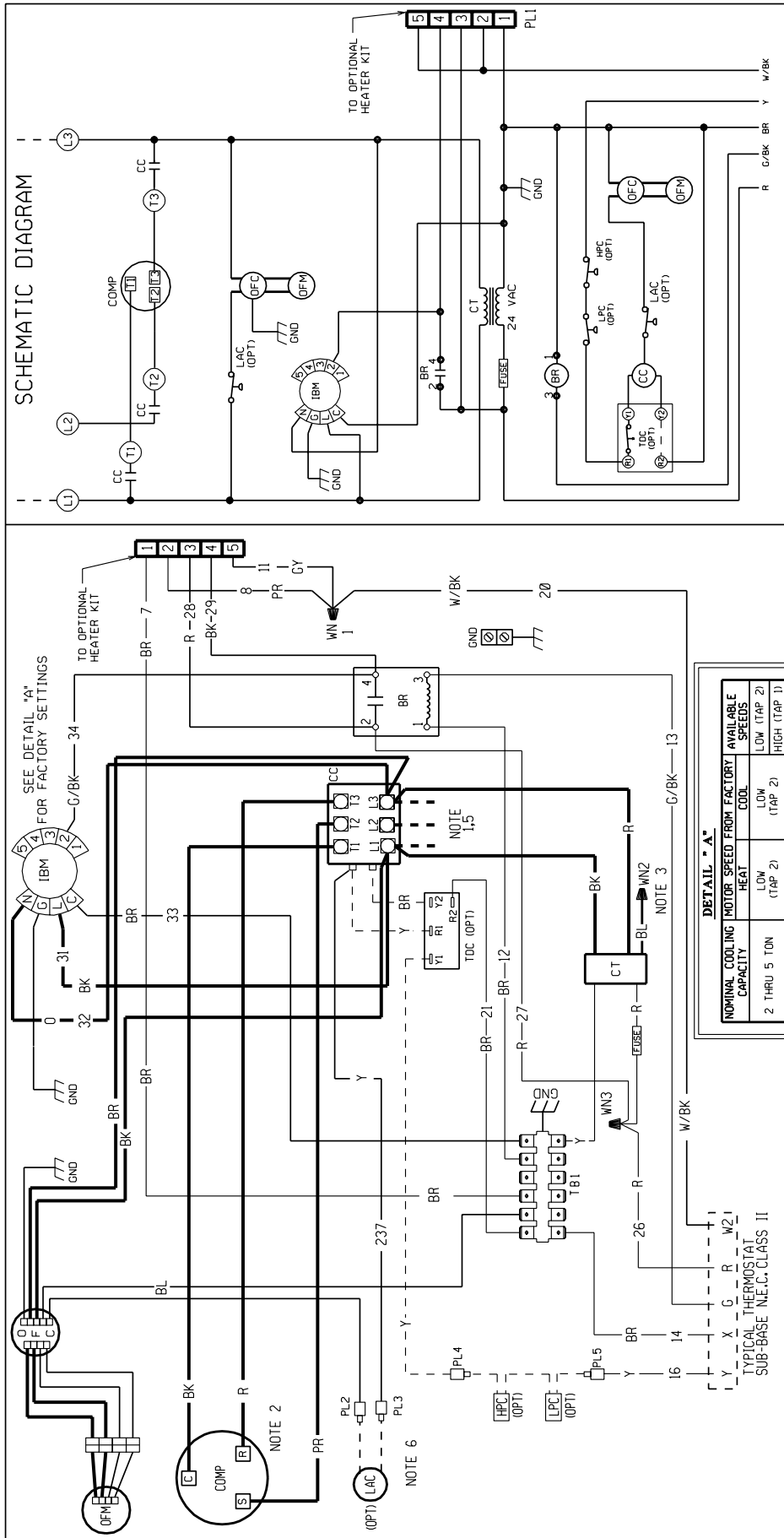
ELECTRICAL WIRING DIAGRAM

PACKAGE AIR CONDITIONER

WITH INDOOR X-MOTOR AND OUTDOOR REMOTE CONTROL ECM

1 PH, 208-230 VOLT - 60 HZ

DR. BY: JHB APP. BY: DATE: 9-03-09 DWG. NO.: 90-23637-17 REV: 01



WIRING INFORMATION

LINE VOLTAGE

-FACTORY STANDARD

-FACTORY OPTION

-FIELD INSTALLED

LOW VOLTAGE

-FACTORY STANDARD

-FACTORY OPTION

-FIELD INSTALLED

REPLACEMENT WIRE

-MUST BE THE SAME SIZE AND TYPE OF INSULATION AS ORIGINAL (105 C MIN.)

WARNING

-CABINET MUST BE PERMANENTLY GROUNDED AND CONFORM TO I.E.C., N.E.C., C.E.C. AND LOCAL CODES AS APPLICABLE.

WIRE COLOR CODE

BK BLACK

BR BROWN

BL BLUE

G GREEN

GY GRAY

O ORANGE

PK PINK

PR PURPLE

R RED

W WHITE

Y YELLOW

CL CLEAR

ELECTRICAL WIRING DIAGRAM

PACKAGE AIR CONDITIONER

WITH INDOOR X-MOTOR AND OUTDOOR REMOTE CONTROL ECM

3 PH, 208-230 VOLT - 60 HZ

DR. BY JHB

APP. BY DATE

DWG. NO. 9-03-09

REV 01

90-23637-18

COMPONENT CODE

LAC LOW AMBIENT COOLING CONTROL

PL2 BLOWER RELAY

PL3 COMPRESSOR CONTACTOR

PL4 CRANKCASE HEATER

PL5 OUTDOOR FAN MOTOR

PL6 OUTDOOR FAN MOTOR

PL7 OPTIONAL

PL8 FUSE BLOCK

PL9 PLUG CAPACITOR

PL10 TERMINAL BLOCK

PL11 TIME DELAY CONTROL

PL12 WIRE NUT

AUX. LIMIT CONTROL

BLU. RELAY

COMP. CONTROL

CRANKCASE HEATER

OUTDOOR FAN MOTOR

OPTIONAL

PLUG CAPACITOR

TERMINAL BLOCK

TIME DELAY CONTROL

WIRE NUT

BEFORE PURCHASING THIS APPLIANCE, READ IMPORTANT ENERGY COST AND EFFICIENCY INFORMATION AVAILABLE FROM YOUR RETAILER.

GENERAL TERMS OF LIMITED WARRANTY

Rheem will furnish a replacement for any part of this product which fails in normal use and service within the applicable periods stated, in accordance with the terms of the limited warranty.

***For Complete Details of the Limited Warranty, Including Applicable Terms and Conditions, See Your Local Installer or Contact the Manufacturer for a Copy.**

***Conditional Parts (Registration Required)**
(Residential Applications)Ten (10) Years
Compressor
(1 Phase Residential Applications).....Ten (10) Years
(13 & 14 SEER, Commercial Applications).....Five (5) Years
Any Other PartFive (5) Years

Before proceeding with installation, refer to installation instructions packaged with each model, as well as complying with all Federal, State, Provincial, and Local codes, regulations, and practices.

**Rheem Heating,
Cooling and
Water Heating**

P.O. Box 17010, Fort Smith, AR 72917



"In keeping with its policy of continuous progress and product improvement, Rheem reserves the right to make changes without notice."